

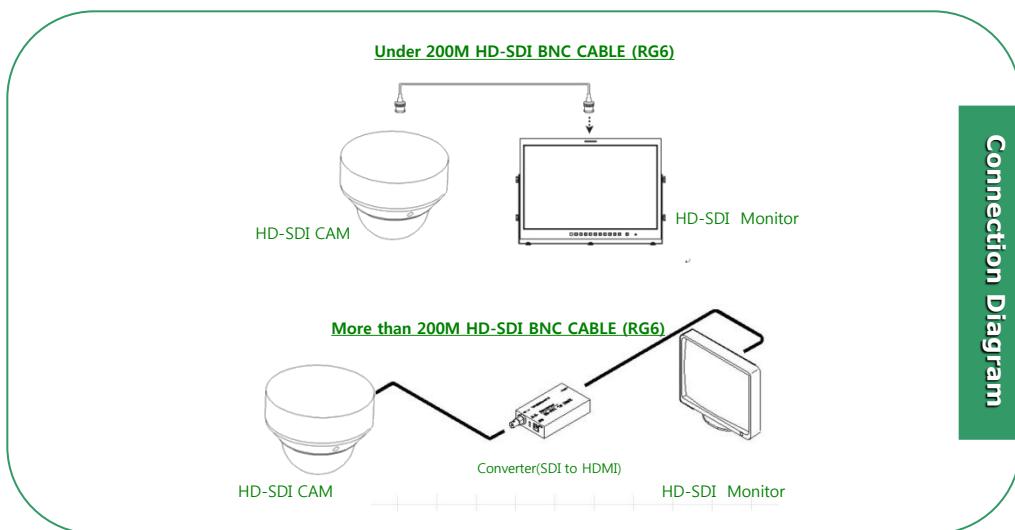
HD-SDI Dome Camera

C1080D-IR



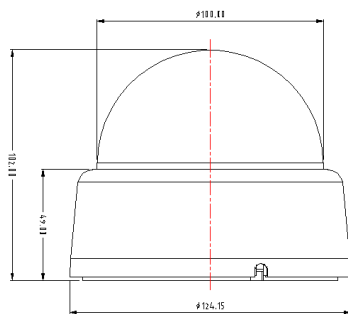
Key Features

- HD-SDI 1080p (1920 x 1080) IR Dome Camera
- 1/3" 2.1 Megapixel CMOS Progressive Image Sensor
- 1080p 30fps
- Standard HD-SDI (SMPTE 292M) compatible
- Standard resolution (SMPTE 274M) compatible
- High-performance under low light environment
 - BW : 0.0005 Lux@50IRE, F1.2,3100K, DSS(off), AGC(10)
 - Color : 0.2 Lux@50IRE, F.1.2, 3100K , DSS(off), AGC(10))
- Support DNR function eliminating noise under low illumination
- Support WDR function under back light environment
- Support IR cut filter removable (ICR Type) of TDN
- Support privacy setting up to 28 Zone
- Strobe for internal light
- Easy to use OSD menu as conventional CCTV camera
- DC Iris, 2.8mm ~ 10mm, F1.2
- IR Type LED
- FCC(Class A), CE, KC, RoHS are under approval

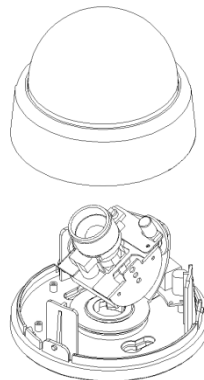


Specification (C1080D-IR)

Item		C1080D-IR		
Video	Sensor Type		1/3" 2.1 Megapixel CMOS	
	Total Pixels		1920(H) x 1080(V) = 2.1 Megapixel	
	Scanning System		Progressive Scan	
	Min Illumination	BW		0.0005Lux@50IRE, F1.2, 3100K, DSS(OFF), AGC(10)
		Color		0.2 Lux@50IRE, F1.2, 3100K, DSS(OFF), AGC(10)
	Lens	Mount		D-Mount
		Filter		True Day & Night
		Lens		DC Iris, 2.8mm ~ 10mm, F1.2
	HD-SDI Output	HD-SDI (BCN)		1(BNC 1.0 Vp-p, 75 ohm)
		Resolution		1080P 30fps
		Standard HD-SDI		SMPTE 292M compatible
		Standard Resolution		SMPTE 274M compatible
		Distance		approx. 200m of RG6, 150m of RG59
	Video Control	Control Method		OSD (Internal joystick)
		AGC		OFF, 1 ~ 10 steps
		Mirror		Horizontal / Vertical
		WDR		OFF, 0~4 setup
		BLC		OFF, LOW, MIDDLE , HIGH
		ACE		OFF,ON
		DNR		OFF, LOW, MIDDLE, HIGH
DSS			OFF, x2 ~ x10	
White Balance			AUTO, PRESET,MANUAL	
Electric Shutter			AUTO, MANUAL(12 steps)	
D-ZOOM			0 ~ 16 steps	
Lens Shading			OFF,ON	
HLC			0 ~ 10 steps	
Privacy		ON/OFF (28 ZONES)		
Light	Strobe for light	C1080D-IR	24pcs, 850mm, 60Degree control by visible light sensor	
Electricity	Power Consumption	C1080D-IR	DC 12V ± 10% 3W	
Mechanical	Dimension (ØxH)	C1080D-IR	Ø124.15 x 102mm	
	Weight	C1080D-IR	350g	
Environments	Operation Temp. / Humidity		0°C ~ 50°C / 0%RH ~ 80%RH	
	Certifications		KC, FCC(Class A), CE, RoHS	



Dimension (ØxH)



C1080D-IR Dimension