

WEBGATE
HD CCTV

HD-CCTV Camera



Full HD Camera
C1080Dome Series

Installation and User's Guide

설치 및 사용자 안내서

取扱説明書

Установка и руководство пользователя

Installations- und Benutzerhandbuch

(Rev 1.0)

Caution for installation and usage

1. Check Frame rate setting based on power frequency

- Set Frame rate to 25Hz if your region is using 50Hz(PAL) power frequency, or set to 30Hz for 60Hz(NTSC) region. (OSD : System → Frame rate).

2. Focus setup

To avoid losing focus at night time, please adjust camera focus as follows.

- 1) Move Zoom and Focus lever to adjust angle and focus. AF model can adjust angle by moving joystick (Up: Tele, Down: Wide, Left: Near, Right: Far).
 - 2) Press joystick shortly to enter Adjust Focusing mode. AF series model can adjust focus automatically in Adjust Focusing mode.
 - 3) Complete Adjust Focusing mode by pressing joystick shortly.
- ※ To get fine focusing, video will be zoomed twice in Adjust(Auto) Focusing mode.

3. Shutter mode setup based on installation environment

Choose shutter mode based on installation environment as follows to minimize motion blur of a moving object.

- Auto : This mode can maximize sensitivity under low light condition, but if the target object is moving fast, motion blur could appear. You can use DSS, WDR functions at this mode.
- Indoor : This mode can provide more clear moving image such as person in indoor environment.
- Outdoor : This mode can provide more clear moving image such as vehicle in outdoor environment.

* Under Indoor/Outdoor mode, DSS, WDR functions cannot be used and low-light performance will be decreased. If you do not consider the environmental condition of the installation site, malfunction of exposure might appear.

4. Do not expose this camera to rain or moisture to prevent malfunction, fire and shock hazard.
5. DC12V or AC24V(500mA over) power adapter must be used.
6. Please contact to qualified service personnel in case of product damage. Do not attempt to repair product by yourself.
7. Please avoid external shock and vibration on the product.
8. Do not install product under excessive heat or cold environment. (recommended operation temperature is 0°C~50°C)
9. Do not target lens to the sun. Image sensor might be damaged
10. Do not open the product under any circumstances, it could void the warranty. Natural disaster like lightning, flood will need charge for repair.

Feature

HD-SDI video digital signal

HD-SDI(High Definition Serial Digital Interface) is non-compressed digital signal for broadcasting, and there is no quality loss of high definition images.

2MP, Full HD high resolution picture quality

Full HD(1920x1080) provides 6 times higher resolution than SD level camera, and more clear video image can be achieved through 1/3", 2Megapixel progressive CMOS.

High performance under low light environment

High performance quality can be achieved under low light environment by optimizing the image handling technology on CMOS sensor.

(B/W : 0.0005 Lux / Color : 0.2Lux@50IRE, F1.4, 3100K, DSS OFF)

Indoor/Outdoor function

Indoor mode provides clear image by minimizing Motion Blur from slow moving person indoors, and outdoor mode provides clear images for fast moving vehicles outdoors by optimizing video signal handling according to each environment.

3D-DNR

3D-DNR function efficiently removes video noise in dark environment, and shows clear image as a result.

True Day & Night function

Camera senses the surrounding brightness automatically, and insert/remove the IR-CUT filter to get the best sensitivity performance.

WDR/BLC/ACE/HLC

Under backlight condition, you can select the most suitable function among WDR, BLC, ACE and HLC.

Auto Focusing function (AF model)

AF models provide simple one-click auto focus function.

Adjust Focusing function

Even though D&N lens is in use, focus might be distorted in night time. To prevent this problem, camera supports Adjust Focusing function. After use this function, you can get clear video image both daytime and night time.

Privacy support






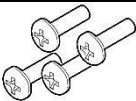
Camera can support up to 28 privacy masking areas.

OSD control and F/W upgrade

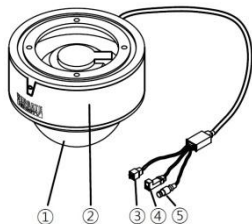
OSD control and Firmware upgrade of camera can be achieved from PC or Webgate DVR through RS485 communication.

Supplied accessories

Please check if all the supplied accessories are included.

		
Camera		Installation / User Manual
		
Cap	L Wrench	Iron Screw

Product description



No	Name
1	Dome cover
2	Camera
3	RS485 Port
4	Power input connector
5	Video output BNC connector

Camera installation

Focus adjustment (Adjust Focusing)

We recommend to use 'Adjust Focusing' mode for camera focusing.

- 1) Move Zoom and Focus lever to adjust angle and focus.

AF model can adjust angle by moving joystick

(Up: Tele, Down: Wide, Left: Near, Right: Far).

- 2) Press joystick shortly to enter Adjust Focusing mode.

AF series model can adjust focus automatically by Adjust Focusing mode.

- 3) Complete Adjust Focusing mode by pressing joystick shortly.

※ To get fine focusing, video will be zoomed twice in Adjust Focusing mode.

Notice for Auto Focus operation

Following conditions might make failure of auto focusing .

1. When there are changes of the scene while Auto Focus is working(sudden movement, appearance or disappearance).
2. When there are sudden change of the brightness.
3. When shooting low contrast image.
4. When there is strong light in the scene.
5. When there is foreign substance on the lens.
6. If auto focusing is failed, please try to adjust focus manually or try auto focus again with the scene which have strong contrast.

Monitor connection

1. Use coaxial cable to connect camera with monitor.
2. Monitor needs to support SDI.
3. If monitor does not have SDI input connector, you may use additional SDI to HDMI converter.

Cautions when you connect BNC cable

The impedance of BNC connector should be 75Ω.

If 50Ω connector is used, the transmission distance will be reduced approx. 10m.

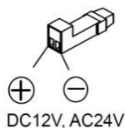
Caution in cable selection

The maximum transmission distance of HD-SDI will vary depending on cable manufacturer and installation environment. Please refer to the below table to select suitable coaxial cable.

Cable type	Transmission distance	Purpose
2V	about 100M	For analog signal
4C-FB(T), 4C-HFB(T), RG59	about 150M	High-foamed, double or triple shielded cable is recommended
5C-FB(T), 5C-HFB(T), L-6CHD, RG6	about 200M	Dedicated cable for HD-SDI

Power connection

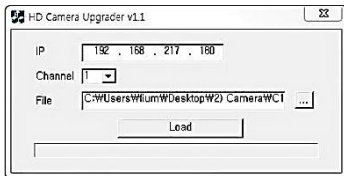
Adapter should be DC12V or AC24V. But in case use DC power, Please be careful in the polarity when connect power.



OSD control and Firmware upgrade using RS485 communication

1. Connect Webgate's HD-SDI DVR with camera through RS485.
2. Configure PTZ settings such as Protocol(C1080), Baudrate, Address in DVR.
3. Run HD Camera Upgrade program then enter IP address of DVR which is connected to

- camera and enter channel number of camera.
- PC for Firmware upgrade and DVR need to be connected with network.
- HD Camera Upgrade program and firmware can be downloaded from Webgate's website.



4. Select a Firmware and click Load button. Then firmware upgrade will proceed and the camera will reboot automatically after completion.
 - Image will stop until boot completes.
 - If image stops over 1min, select Aux1 of selected channel to reboot camera again.
5. After firmware upgrade, DVR or CMS(Control Center) can change camera configuration by controlling camera's OSD menu remotely.

How to use OSD menu

OSD menu function

If pressing MENU button over 1 sec continuously, OSD menu will be shown.

- If OSD menu is not closed, it will be closed automatically in 1 minute. **(Changed configuration value will not be saved)**
- Bold font with underline means factory default.

OSD MENU	Function
ADJUST FOCUSING	<p>If pressing Menu button less than 1 sec, Adjust Focusing mode will be activated.</p> <ul style="list-style-type: none"> - After Focus Adjustment, if you press the MENU button again, Adjust Focusing mode will be closed. - If you do not exit the menu, it will be closed automatically in 1 minute.
LENS	<p>DC(AF Model)</p> <p>This is DC Iris Auto Focus lens which can make a focus either by automatically and manually.</p> <ul style="list-style-type: none"> - Autofocus : Autofocusing by joystick one-click. - Zoom(AF) : Autofocusing after Tele, Wide action. - Manual : Move joystick to up(Tele), down(Wide), left(Near),right(Far) to adjust angle and focus manually. - D&N AF : Autofocusing after Day&Night chages
DAY	<p>Color</p> <p>Maintains Color(Day) mode regardless brightness.</p>

& NIGHT	B&W	Maintains B&W(Night) mode regardless brightness.
	Auto	In accordance with brightness, camera switches Color mode and B&W mode automatically. <ul style="list-style-type: none"> - LUX LEVEL(LOW, MIDDLE, HIGH) : This value is the standard for Day & Night switching. If high is selected, camera will turn to Night(B/W) mode at higher LUX level than MIDDLE or LOW. - ANTI HUNT(LOW, MIDDLE, HIGH) : This value is the standard for threshold of Day & Night switching. Higher setting value will reduce the flickering by IR-CUT filter switching caused from misjudgment. - DELAY TIME(3~30sec) : Judgment period for Day & Night switching
EXPOSURE	BRIGHTNESS (11, 0~20)	Adjust the brightness of image. The more High value it has, the more bright image it shows
	SHUTTER	AUTO : In accordance with the brightness, shutter speed is automatically changed MANUAL : User can change the shutter speed manually between 1/30 and 1/60000. INDOOR : Optimized to indoor environment. OUTDOOR : Optimized to outdoor environment like fast moving object like car running. ANTI-FLICKER : Removes Flicker problem due to the discordance of light frequency.
	DSS (OFF, x2~x10)	At night time or very dark condition, it accumulates the amount of light into the image pixels and provides more clear video image. But the higher setting value may make more severe motion blur accordingly.
	AGC (7, 1~10)	It will amplify video gain according to the light condition, but it will also increase noise level.
COLOR	AWB	- AUTO : This mode automatically adjusts color white balance between 1,700°K ~ 11,000°K. - PRESET : Shoot a white paper in front of camera and press MENU button then white balance working will stop suitable for the condition. You must do this process again if light condition is changed. - MANUAL : User can select color temperature among 3300°K, 4300°K, 7600°K and adjust the details by KELVIN, R-GAIN and B-GAIN value.
	CHROMA (10, 0~20)	Adjust Chroma level.

IMAGE	SHARPNESS (5, 0~10)	Adjust sharpness. The higher value will show more clear video image
	H-MIRROR	Mirror image. Left and right will be reversed
	V-MIRROR	Flip image. Up and down will be reversed.
	Digital ZOOM	Zoom image by 16 steps. (1~16)
	PRIVACY	This is for privacy zone masking <ul style="list-style-type: none"> - ZONE NO : Supports total 28 areas (0~27) - ZONE OP : Whether to use or not of selected area - X, Y-POS : Set the X,Y start position of an area - X, Y-SIZE : Set the width and height of an area - COLOR(WHT,YEL,CYN,GRN,MAG,RED,BLU,BLK) : Select color for masking. - TRANS(0~4) : Set transparency of masking.
	SHADING DET	Before execute the SHADING function, shoot a white paper in front of the camera, and do SHADING DET. If not, abnormal video might be output.
	SHADING	It compensates the difference of light caused by lens. To use this function, you should run Shading DET function first at System menu.
WDR	This 3D backlight compensation function allows bright and dark area to be seen clearly together. <ul style="list-style-type: none"> - WDR WGT(0~4) : Select image mix ratio. The higher value, the bright part of the image appear more clearly 	
BLC	Back light compensation function. <ul style="list-style-type: none"> - BLC LEVEL(LOW, MIDDLE, HIGH) : Set BLC level. - BLC OSD : Displays BLC area on the screen. - BLC POS-X, Y : Set X, Y start position. - BLC SIZ-X,Y : Set Width and Height size. - MASK : If there is very bright portion inside BLC area, this portion can be removed from the calculation of BLC compensation. This brightness level for masking can be decided by below MASK LEVEL. - MASK LEVEL(0~10) : Set brightness level for Masking. 	
HLC	High Light Compensation. If there is very bright portion inside a scene, camera can mask the portion, and the portion is removed from the calculation for exposure control. <ul style="list-style-type: none"> - LEVEL(5, 0~10) : Set the brightness level for masking. - Color : Set masking color 	
ACE (ON, OFF)	Adaptive Contrast Enhancement. Enhances image quality by raising the brightness of dark areas.	
	DNR (LOW, MIDDLE, HIGH)	Reduce image noise under low light condition

FRAMERATE (25Hz, 30Hz)		Power frequency 60Hz(NTSC) : 30Hz(fps) video output Power frequency 50Hz(PAL) : 25Hz(fps) video output
SYSTEM	MODEL	Displays model name
	CAM ID	Max. 8 digits for camera name. Supports alphanumeric and some special characters
	RS485 ID	Set ID for RS485
	VERSION	Displays firmware version
	RESOLUTION	Set output resolution (1080p/720p).
	DIGITAL OUT / IR-LED	Provides control signal output for sub light which is synchronized with image process. - DURATION(0~20) : Set the one cycle duration of TTL signal output (unit : msec) - POLARITY : Set the output level of TTL signal. (0 : 0V , 1 : 3.3V) * Output cycle is decided by 30Hz/25Hz.
	BAUDRATE (9600, 57000)	Set RS485 communication speed.
RESET	Makes all setting values to factory default condition	
EXIT	SAVE&EXIT	Save configuration and exit menu.
	EXIT	Without saving configuration, exit menu. If there is no further action in menu, after 1 minute, OSD menu will exit without saving changes.

Product Specification

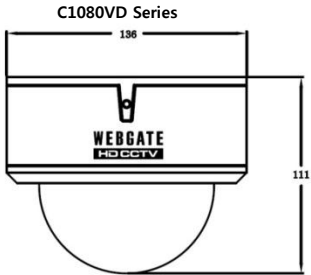
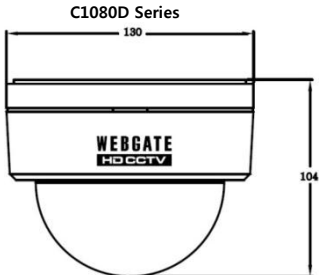
Model		C1080D, C1080VD, C1080D-IR, C1080VD-IR C1080D-AF, C1080VD-AF, C1080D-IR-AF, C1080VD-IR-AF
Video		
Sensor Type		1/3", 2.1Megapixel CMOS
Total Pixels		1920(H) x 1080(V) = 2.1M pixels
Scanning System		Progressive Scan
Min Illumination	B/W	0.0005Lux@50IRE, F1.2, 3100K, DSS(OFF), AGC(10)
	Color	0.2Lux@50IRE, F1.2, 3100K, DSS(OFF), AGC(10)
Lens	Lens	DC 3 ~ 10mm F1.3
	Type	DC Auto Iris, Manual
Video Output	Output	1(BNC 1.0 Vp-p, 75Ω)
	Resolution	1080p 30fps / 25fps
	HD-SDI	SMPTE 292M compatible
	Distance	approx. 200m of RG6, 150m of RG59

Video Control	Control Method	OSD(Internal Joystic), DVR, CMS(Control Center)
	Filter	True Day & Night
	AGC	1 ~ 10 steps
	Mirror	Horizontal / Vertical
	WDR	OFF, 0 ~ 4 setup
	BLC	OFF, LOW, MIDDLE, HIGH
	ACE	OFF, ON
	DNR	OFF, LOW, MIDDLE, HIGH
	DSS	OFF, x2 ~ x10
	White Balance	AUTO, PRESET, MANUAL
	Electric Shutter	AUTO, MANUAL(12 steps), INDOOR, OUTDOOR ANTI-FLICKER
	Digital Zoom	0 ~ 16 steps
	Lens Shading	OFF, ON
	HLC	0 ~ 10 steps
Privacy	OFF/ON (28 Zones)	
Control Interface		
RS485		Upgrade Firmware / OSD Control
Strobe for internal light		24PCS
Electricity		
Power Consumption	C1080D	DC 12V ± 10%, 3W / AC 24V ± 10%, 4W
	C1080VD	
	C1080D-AF	
	C1080VD-AF	
	C1080D-IR	DC 12V ± 10%, 4W / AC 24V ± 10%, 5W
	C1080VD-IR	
	C1080D-IR-AF	
	C1080VD-IR-AF	
		DC 12V ± 10% 4W / AC 24V ± 10%, 6W
Mechanical		
Dimension	C1080D	130(ø) x 104(H)mm
	C1080D-IR	
	C1080D-AF	
	C1080D-IR-AF	
	C1080VD	136(ø) x 111(H)mm
	C1080VD-IR	
	C1080VD-AF	
	C1080VD-IR-AF	
Weight	C1080D	359g
	C1080D-IR	369g
	C1080VD	759g

C1080VD-IR	769g
C1080D-AF	370g
C1080D-IR-AF	380g
C1080VD-AF	770g
C1080VD-IR-AF	780g

Environments	
Operation Temp. / Humidity	0 °C ~ 50 °C / 0%RH ~ 80%RH
Certifications	
Certifications	KC, FCC, CE, RoHS

Dimension (unit : mm)



Warranty

Product name	Full HD Camera	Warranty term
Model name	C1080D, C1080VD, C1080D-IR, C1080VD-IR, C1080D-AF, C1080VD-AF, C1080D-IR-AF, C1080VD-IR-AF	2 years after purchase
Date of purchase	Year Month Day	
Warranty term	Year Month Day	
Serial number		

Customer's address	Name	
	Contact	
Address of shop(Company name)	Name	
	Contact	

◆ Please fill out vacant area before sending products.

★ For customer service ★

Please read this manual again before requesting customer service.

Any simple malfunctions due to customer's misunderstanding on the product could be resolved by customer.

How to request service?

Please inform details of malfunctions correctly.

Free or non free repair will be decided based on details of warranty card.

WebGate Division Daemyung Enterprise Co., Ltd.

6F Hanlim Venture Town B/D 689-6, Geumjeong Dong, Gunposi, Gyeonggi-do, Korea

Main : TEL : +82-31-428-9300

Client Service : TEL : +82-1644-3421

The damages caused from following conditions will be repaired by customer's cost.

1. Any damage comes from customer's carelessness
2. When improper power is entered
3. When you repair unit by yourself
4. Any damage comes from natural disaster like lightning, flood, etc.
5. Consumable parts replacement



ENTERPRISE

WEBGATE

1. 전원 주파수에 따른 Framerate 설정 확인

- 전원 주파수가 50Hz(PAL)인 지역은 Framerate를 25Hz로 60Hz(NTSC) 지역은 30Hz로 설정되었는지 확인하시기 바랍니다. (OSD : System → Framerate)

2. Focus 설정

D&N 렌즈를 사용하더라도 주간에 맞춘 포커스가 야간에 틀어지는 현상을 방지하기 위해서 카메라 설치 시 아래와 같이 포커스를 설정 하시기 바랍니다.

1) 렌즈의 Zoom 및 Focus 레버를 조절하여 화각 과 포커스를 맞춥니다.

AF 모델은 조이스틱을 조절하여 화각을 맞춥니다(상:Tele, 하:Wide, 좌:Near, 우:Far).

2) 조이스틱을 1초 이내로 짧게 눌러 Adjust Focusing 모드로 진입 후 포커스를 맞춥니다. AF 모델은 Auto Focusing 모드가 실행되면 자동으로 포커스를 맞춥니다

3) Menu 버튼을 짧게 눌러 Adjust Focusing 모드를 종료합니다..

※ Adjust Focusing 모드에서는 정확한 포커스 조정을 위하여 영상이 2배로 확대 됩니다.

3. 설치 환경에 따른 셔터모드 설정

움직이는 피사체의 영상블림(Motion Blur)을 최소화하기 위해서는 설치환경에 맞게 아래와 같이 셔터모드를 설정하기 바랍니다.

- Auto : 저조도 성능을 최대로 활용할 수 있으나 피사체가 일정속도 이상으로 움직일 경우 영상블림이 발생 할 수 있습니다. DSS, WDR 기능을 사용할 수 있습니다.

- Indoor : 실내에서 사람 등 움직임이 있는 영상을 선명하게 보여 줍니다.

- Outdoor : 실외에서 자동차 등 움직임이 있는 영상을 선명하게 보여줍니다

* Indoor/Outdoor 에서는 저조도 성능 및 DSS, WDR 기능이 제한 되며 설치 환경에 맞게 설정하지 않았을 경우에는 부분노출 불량이 발생 할 수 있습니다.

4. 비가 새는 곳이나 습도가 높은 장소에 설치하지 마십시오. 카메라 내부에 물이 들어가면 고장의 원인이 될 수 있으며, 화재의 위험이 있습니다.

5. 전원 연결 시 아답터는 DC12V 또는 AC24V(500mA 이상)를 사용해야 합니다.

6. 카메라 이상 또는 고장 발생시 직접 수리하지 마시고 구입처에 연락 하십시오.

7. 제품 또는 렌즈를 떨어트리거나 강한 충격, 진동을 피해주시십시오.

8. 너무 뜨겁거나 추운곳에 설치하지 마십시오. 50°C 이상의 고온이나 0°C 미만의 저온인 장소에서 사용하면 화질의 저하나 고장의 원인이 됩니다.

9. 카메라 렌즈를 태양이나, 강한 광선에 직접 노출 시키면 제품에 손상을 줄 수 있으므로 주의하시기 바랍니다.

10. 임의로 분해된 제품에 대해서는 품질 보증을 적용하지 않으며 낙뢰 등의 자연재해 또는 설치 부주의로 인한 제품 손상은 보증 기간이라도 유상 A/S 처리 됩니다.

HD-SDI 비디오 디지털 신호

HD-SDI(High Definition Serial Digital Interface)는 방송용 비압축 디지털 신호로, 아날로그 카메라 대비 영상 손실이 없기 때문에 깨끗한 고화질 동영상을 전송할 수 있습니다.

2M, Full HD 고해상도 화질

1/3인치 200만화소 프로그레시브 CMOS 소자 채용으로 SD급 카메라 보다 해상도가 6배 뛰어난 Full HD(1920x1080) 해상도 및 선명한 화질을 구현합니다.

최고 성능의 저조도

CMOS 센서에 대한 영상처리 기술의 최적화로 저조도에서 우수한 성능의 화질을 구현합니다. (흑백 : 0.0005 Lux / 컬러 : 0.2Lux@50IRE, F.1.4, 3100K, DSS OFF)

Indoor/Outdoor 기능

환경에 따라 신호처리 기능을 최적화 하여 실내에서(Indoor) 사람의 움직임과 같이 저속으로 움직이는 피사체부터 실외에서(Outdoor) 자동차와 같이 고속으로 움직이는 피사체까지, 영상블림(Motion Blur)을 최소화 하여 선명한 영상을 구현합니다...

3D-DNR

3D-DNR 기술을 적용하여 저조도의 노이즈를 효과적으로 제거하여 어두운 곳에서도 선명하고 뚜렷한 영상을 보여줍니다.

True Day & Night 기능

주간과 야간상황을 자동으로 판단하여 그 상황에 적합한 IR-Cut 필터로 전환되어 최적의 상태를 유지합니다.

WDR/BLC/ACE/HLC

강력한 자동 역광보정 기능으로 역광 상황에서 명부와 암부의 차이가 큰 영상에 대해서 밝은 곳과 어두운 부분을 선택적으로 밝기를 조절하여 언제나 깨끗하고 선명한 영상을 구현합니다.

Auto Focusing 기능(AF 모델)

자동초점 조절기능으로 한번의 클릭만으로 포커스를 맞출 수 있습니다..

Adjust Focusing 기능

D&N 렌즈를 사용하더라도 주간에 맞춘 포커스가 야간에 틀어지는 문제를 방지하기 위하여 Adjust Focusing 모드에서 포커스를 맞출 경우 주/야간 모두 선명한 영상을 구현할 수 있습니다.

Privacy 지원






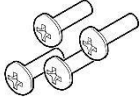
설치 장소에 따라 총 28개의 PRIVACY 영역으로 설정 가능하도록 보안성을 제공합니다.

OSD 제어 및 F/W 업그레이드

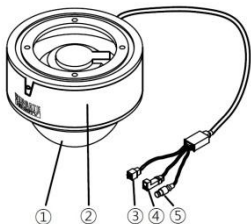
DVR과 RS485 통신을 통해 원격지 PC에서 OSD 제어 및 F/W를 업그레이드 할 수 있습니다

구성품

제품구입시 공급된 구성품이 포함되어 있는지를 확인합니다.

		
카메라		설치 / 사용설명서
		
캡	L 렌치	스크류

제품 설명



No	명 칭
1	돔 커버
2	카메라
3	RS485
4	전원 입력단자
5	영상 출력단자

카메라 설치

포커스 설정(Adjust Focusing)

포커스 조정 및 주간에 맞춘 포커스가 야간에 틀어지는 현상을 방지하기 위해서 카메라 설치 시 아래와 같이 포커스를 설정 하시기 바랍니다.

- 1) 렌즈의 Zoom 및 Focus 레버를 조절하여 화각 과 포커스를 맞춥니다.
AF 모델은 조이스틱을 조절하여 화각을 맞춥니다(상:Tele, 하:Wide, 좌:Near, 우:Far).
- 2) 조이스틱을 1초 이내로 짧게 눌러 Adjust Focusing 모드로 진입 후 포커스를 맞춥니다. AF 모델은 Auto Focusing 모드가 실행되면 자동으로 포커스를 맞춥니다.
- 3) 조이스틱을 짧게 눌러 Focusing 모드를 종료합니다.

※ Adjust & Auto Focusing 모드에서는 정확한 포커스 조정을 위하여 영상이 2배로 확대됩니다.

Auto Focus 동작 시 주의사항

다음과 같은 경우 초점 설정 기능이 오동작 할 수 있습니다.

1. Auto Focus 동작 시 피사체의 변화(급격한 움직임, 출현 또는 사라짐)가 있을 경우 주의 하시기 바랍니다.
2. Auto Focus 동작 시 급격한 휘도 변화의 경우 주의 하시기 바랍니다.
3. 낮은 Contrast의 영상의 경우 주의 하시기 바랍니다..
4. 강한 광원이 전면이나 주변에 있을 경우 주의 하시기 바랍니다.
5. 렌즈에 이물질이 있을 경우 주의 하시기 바랍니다.
6. Auto Focus 동작이 어려운 환경의 경우 촬영하는 장소에 Contrast가 강한 물체를 놓고 시도하거나, Manual로 Focus를 맞춰야 합니다.

모니터 연결

1. 제품과 모니터를 연결하는 케이블은 동축케이블을 사용하여야 합니다.
2. 모니터는 SDI를 지원하는 모니터를 사용 하여야 합니다
3. SDI 지원 모니터가 없을 경우 HDMI 컨버터를 이용하여 LCD모니터(HDMI 입력지원)등에서도 영상 출력이 가능합니다..

BNC 커넥터 연결 시 주의사항

BNC 커넥터의 임피던스는 75Ω을 사용하여야 합니다.

50Ω 커넥터를 사용할 경우 전송거리가 약 10m 가량 줄어들 수 있습니다.

케이블 선택 시 주의사항

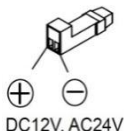
HD-SDI 최대 전송거리는 케이블 제조사 및 설치 환경에 의해 달라질 수 있습니다. 동축 케이블을 선택할 때 아래 표를 참조용으로 활용 바랍니다.

케이블 종류	전송거리	용도
2V	약 100M	아날로그 신호용 케이블
4C-FB(T), 4C-HFB(T), RG59	약 150M	고발포 케이블, 2중(또는 3중) 차폐 권장
5C-FB(T), 5C-HFB(T), L-6CHD, RG6	약 200M	HD-SDI 전용 케이블

전원의 연결

전원 연결 시 아답터는 DC12V 또는 AC24V를 사용해야 합니다.

단, DC 전원으로 접속 시에는 극성에 주의하여 연결 하시기 바랍니다.

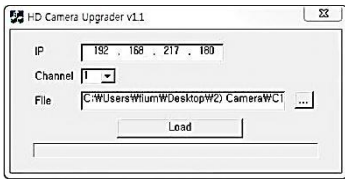


RS485 통신을 이용한 OSD 제어 및 F/W 업그레이드 방법

1. DVR과 카메라를 RS485로 연결 합니다.
2. DVR에서 Protocol(C1080), Baudrate, Address등의 PTZ 설정을 합니다.
3. HD Camera Upgrade 프로그램을 실행하여 카메라가 연결된 DVR의 IP 및 업그레이드

할 카메라의 채널을 선택합니다.

- F/W를 업그레이드 할 PC와 DVR이 네트워크로 연결되어 있어야 합니다.
- HD Camera Upgrade 프로그램 및 F/W는 홈페이지에서 다운 받을 수 있습니다.



- 업그레이드 할 펌웨어를 선택 후 Load 버튼을 누르면 펌웨어가 업그레이드되고 카메라가 리부팅 됩니다.
 - 부팅이 완료될 때까지 영상이 멈춥니다.
 - 영상 멈춤 현상이 1분이상 지속될 될 경우 DVR에서 해당 채널의 Aux1을 실행하여 다시 한번 카메라를 리부팅합니다.
- 업그레이드가 완료되면 원격지에서 DVR 및 CMS(Control Center)를 이용하여 카메라의 설정을 변경 할 수 있습니다.

메뉴 사용

OSD 메뉴 동작 설명

MENU 버튼을 1초이상 길게 누르면 OSD 설정 메뉴가 표시 됩니다.

- 메뉴를 종료하지 않을 경우 1분 후 자동 종료됩니다.(단, 변경된 설정은 저장되지 않음)
- Bold 및 밑줄 표시된 값은 공장초기화 값 입니다.

OSD 메뉴	동작 설명
ADJUST FOCUSING	Menu 버튼을 1초 이내로 짧게 누르면 Adjust Focusing 모드가 활성화 됩니다. - 포커스 조정 후 다시 한번 Menu 버튼을 짧게 누르면 Adjust Focusing 모드가 종료됩니다. - 수동 종료하지 않을 경우 1분 후 자동 종료됩니다.
LENS	DC(AF 모델) DC Iris Auto Focus 렌즈로 자동 및 수동으로 포커스를 설정할 수 있습니다. - Auto focus : 조이스틱을 한번 클릭하여 자동으로 포커스를 맞춥니다. - Zomm(AF) : 조이스틱을 좌(Tele), 우(Wide)로 Zoom 동작시 포커스를 자동으로 맞춥니다. - Manual : 조이스틱을 상(Tele), 하(Wide), 좌(Near), 우(Far)로 움직여 화각 및 포커스를 수동으로 맞춥니다. - D&N AF : Day&Night 모드가 바뀌면 자동으로 포커

		스를 다시 맞춥니다.
DAY & NIGHT	Color	밝기에 관계없이 Color(Day) 모드가 유지 됩니다.
	B&W	밝기에 관계없이 B&W(Night) 모드가 유지 됩니다.
	Auto	<p>밝기에 따라 Color 모드와 B&W 모드가 자동 전환됩니다.</p> <ul style="list-style-type: none"> - LUX LEVEL(LOW, MIDDLE, HIGH) : 조도의 기준값을 설정하는 기능으로 HIGH 방향으로 갈수록 조도값이 높은(밝은) 상태에서 NIGHT(B/W) 모드로 전환 됩니다. - ANTI HUNT(LOW, MIDDLE, HIGH) : Threshold 값을 설정하는 기능으로 HIGH 방향으로 갈수록 영상 깜빡임 증상을 줄입니다. - DELAY TIME(3~30sec) : 조명 조건의 최소 유지 시간을 설정 합니다..
EXPOSURE	BRIGHTNESS (11, 0~20)	영상의 밝기를 설정 합니다. 값이 높을수록 영상이 밝아집니다.
	SHUTTER	<p>AUTO : 밝기에 따라 1/30 내에서 셔터속도가 가변 됩니다.</p> <p>MANUAL : 1/30 ~ 1/60000 내에서 고정된 셔터값을 설정합니다.</p> <p>INDOOR : 사람의 움직임과 같이 저속으로 움직이는 실내에 설치 시 적합한 모드입니다.</p> <p>OUTDOOR : 자동차와 같이 고속으로 피사체가 움직이는 실외에 설치 시 적합한 모드 입니다.</p> <p>ANTI-FLICKER : 주변 조명과의 주파수 불일치로 인한 화면떨림(Flicker)을 제거합니다..</p>
	DSS (OFF, x2~x10)	야간이나 저조도 시 축적배율을 증가하여 밝고 명확한 영상을 유지해 줍니다. 단, 배율이 커질수록 움직이는 물체의 영상블림(Motion Blur)이 발생합니다.
	AGC (7, 1~10)	값이 높을수록 화면이 밝아집니다. 값이 높을수록 영상에 노이즈도 증가합니다.
COLOR	AWB	<ul style="list-style-type: none"> - AUTO : 색온도 1,700°K ~ 11,000°K 범위 내에서 자동으로 화이트밸런스를 맞춥니다. - PRESET : 현재의 조명환경에 가장 적합한 상태를 얻기 위해 카메라에 흰종이를 비추게 하고 MENU키를 누릅니다. 조명 환경이 바뀌면 재 설정해주어야 합니다. - MANUAL : 3300K, 4300K, 7600K로 색온도를 조절할 수 있으며, KELVIN 과 R-GAIN 그리고 B-GAIN의 값을 조절하여 미세 조절을 할 수 있습니다.
	CHROMA	영상의 채도를 설정합니다.

	(10, 0~20)	
IMAGE	SHARPNESS (5, 0~10)	영상의 선명도를 설정합니다. 값이 높을수록 영상이 더 선명해 집니다.
	H-MIRROR	영상을 좌,우 반전 시킵니다.
	V-MIRROR	영상을 상,하 반전 시킵니다.
	Digital ZOOM	영상을 16단계로 확대 합니다.(1~16)
	PRIVACY	영상의 특정 영역을 마스킹합니다. - ZONE NO : 총 28개의 영역을 설정 합니다.(0~27) - ZONE OP : 선택된 영역의 사용 여부를 설정합니다. - X, Y-POS : 선택된 영역의 가로/세로 위치를 설정 합니다. - X, Y-SIZE : 선택된 영역의 가로/세로 크기를 설정합니다. - COLOR(WHT,YEL,CYN,GRN,MAG,RED,BLU,BLK) : 마스킹 할 영역의 색상을 선택합니다. - TRANS(0~4) : 마스킹 영역의 투명도를 설정합니다.
	SHADING DET	SHADING 설정에 앞서 카메라 앞에 흰 종이를 놓고 영상에 빈 공간이 없이 흰 종이가 출력되도록 한 후에, SHADING DETECTION를 수행해야 합니다. 그렇지 않을 경우 영상이 비정상적으로 출력될 수 있습니다.
SHADING	렌즈 특성에 따라 렌즈 중심부와 주변부의 빛 불균일에서 발생하는 명암을 보정하여 균일한 밝기의 영상을 표현합니다. 단, SHADING 기능은 SYSTEM 메뉴의 SHADING DET 기능을 수행한 후에 사용해야 합니다.	
WDR	3D 역광 보정 기능으로 밝은 영역과 어두운 영역이 공존하는 경우, 두 영역의 물체를 모두 잘 보이게 합니다. - WDR WGT(0~4) : 영상의 합성 비율을 결정합니다. 값이 높을수록 밝은 부분의 물체가 보다 선명하게 보입니다.	
BLC	역광 보정 기능으로 설정된 영역을 적정 밝기로 맞추어 선명한 영상을 얻습니다. - BLC LEVEL(LOW, MIDDLE, HIGH) : BLC 설정 강도를 설정합니다. - BLC OSD : 설정된 BLC 영역을 화면에 표시합니다. - BLC POS-X, Y : 가로/세로 위치를 설정합니다.. - BLC SIZ-X,Y : 가로/세로 크기를 설정합니다.. - MASK : 설정된 BLC 영역 내부에 노출이 기준 값 이상을 초과하는 곳을 마스킹하여 영상 전체의 노출을 보정합니다. - MASK LEVEL(0~10) : 마스킹 할 조도 기준을 설정합니다.	
HLC	노출이 기준값 이상을 초과한 곳을 마스킹하여 영상 전체의 노출을 보정 합니다. - LEVEL(5, 0~10) : 마스킹 할 조도 기준을 설정합니다. - Color : 마스킹 색상을 설정합니다.	

ACE (ON, OFF)	밝기 차이가 심한 역광 환경에서 어두운 곳의 밝기를 상대적으로 높혀 화질을 개선합니다.	
DNR (LOW, MIDDLE, HIGH)		저조도 환경에서 영상의 노이즈를 감쇄하는 기능입니다.
FRAMERATE (25Hz, 30Hz)		전원주파수 60Hz(NTSC) : 30Hz(fps) 영상을 출력합니다 전원주파수 50Hz(PAL) : 25Hz(fps) 영상을 출력합니다
SYSTEM	MODEL	모델명을 표시합니다.
	CAM ID	이름을 최대 8자까지 입력합니다. 알파벳과 숫자, 특수기호를 입력합니다.
	RS485 ID	RS485 ID를 설정합니다.
	VERSION	펌웨어 버전을 표시 합니다.
	RESOLUTION	출력 해상도를 설정 할 수 있습니다.(1080p/720p)
	DIGITAL OUT / IR-LED	영상처리에 동기화된 신호 출력으로 외부 보조 광원을 효율적으로 제어 가능합니다. - DURATION(0~20) : 출력 TTL 신호의 한 주기에 대한 진폭의 양을 설정합니다.(단위 msec) - POLARITY : 출력 TTL 신호의 기본 출력 레벨을 설정 합니다.(0 : 0V , 1 : 3.3V) * 30Hz/25Hz 영상 출력에 동기화되어 출력 주기가 결정됩니다.
	BOARDRATE (9600, 57000)	통신 속도를 설정합니다
	RESET	설정값을 공장 초기화합니다.
EXIT	SAVE&EXIT	변경된 설정을 저장 후 메뉴를 종료합니다.
	EXIT	설정을 저장 하지 않고 메뉴를 종료합니다. 메뉴를 수동으로 종료하지 않을 경우 1분 후 변경된 설정 값을 저장하지 않고 자동 종료됩니다.

제품사양

Model		C1080D, C1080VD, C1080D-IR, C1080VD-IR C1080D-AF, C1080VD-AF, C1080D-IR-AF, C1080VD-IR-AF
Video		
Sensor Type		1/3" 2.1Megapixel CMOS
Total Pixels		1920(H) x 1080(V) = 2.1M pixels
Scanning System		Progressive Scan
Min Illumination	B/W	0.0005Lux@50IRE, F1.2, 3100K, DSS(OFF), AGC(10)
	Color	0.2Lux@50IRE, F1.2, 3100K, DSS(OFF), AGC(10)
Lens	Lens	DC 3 ~ 10mm F1.3

Video Output	Type	DC Auto Iris, Manual
	Output	1(BNC 1.0 Vp-p, 75Ω)
	Resolution	1080p 30fps / 25fps
	HD-SDI	SMPTE 292M compatible
Video Control	Distance	approx. 200m of RG6, 150m of RG59
	Control Method	OSD(Joystic), DVR, CMS(Control Center)
	Filter	True Day & Night
	AGC	1 ~ 10 steps
	Mirror	Horizontal / Vertical
	WDR	OFF, 0 ~ 4 setup
	BLC	OFF, LOW, MIDDLE, HIGH
	ACE	OFF, ON
	DNR	OFF, LOW, MIDDLE, HIGH
	DSS	OFF, x2 ~ x10
	White Balance	AUTO, PRESET, MANUAL
	Electric Shutter	AUTO, MANUAL(12 steps), INDOOR, OUTDOOR ANTI-FLICKER
	Digital Zoom	0 ~ 16 steps
	Lens Shading	OFF, ON
	HLC	0 ~ 10 steps
Privacy	OFF/ON (28 Zones)	

Control Interface

RS485

Upgrade Firmware / OSD Control

Strobe for internal light

24PCS

Electricity

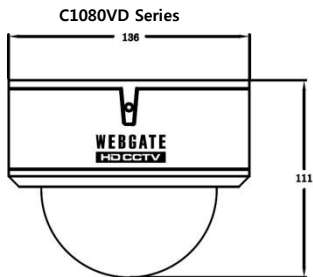
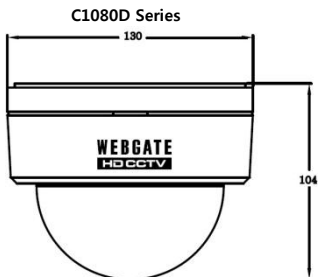
Power Consumption	C1080D	DC 12V ± 10%, 3W / AC 24V ± 10%, 4W
	C1080VD	
	C1080D-AF	
	C1080VD-AF	
	C1080D-IR	DC 12V ± 10%, 4W / AC 24V ± 10%, 5W
	C1080VD-IR	
	C1080D-IR-AF	DC 12V ± 10% 4W / AC 24V ± 10%, 6W
	C1080VD-IR-AF	

Mechanical

Dimension	C1080D	130(ø) x 104(H)mm
	C1080D-IR	
	C1080D-AF	
	C1080D-IR-AF	
	C1080VD	136(ø) x 111(H)mm
	C1080VD-IR	

Weight	C1080VD-AF	
	C1080VD-IR-AF	
	C1080D	359g
	C1080D-IR	369g
	C1080VD	759g
	C1080VD-IR	769g
	C1080D-AF	370g
	C1080D-IR-AF	380g
	C1080VD-AF	770g
	C1080VD-IR-AF	780g
Environments		
Operation Temp. / Humidity	0 °C ~ 50 °C / 0%RH ~ 80%RH	
Certifications		
Certifications	KC, FCC, CE, RoHS	

모델 별 외관도(단위 : mm)



품 질 보 증 서

제 품 명	Full HD Camera	보 증 기 간
모 델 명	C1080D, C1080VD, C1080D-IR, C1080VD-IR, C1080D-AF, C1080VD-AF, C1080D-IR-AF, C1080VD-IR-AF	구입 후 2년
구 입 일 자	년 월 일	
보 증 기 간	년 월 일	
시리얼번호		

고객 주소	성 명	
	연락처	
판매점 주소(상호)	성 명	
	연락처	

◆ 제품판매 시 공란의 내용을 필히 기입하여 주십시오.

★ 서비스를 받으실 때 ★

고장이라 생각되면 서비스를 요청하기 전에 반드시 사용서를 한번 더 읽어 주십시오.

사용 미숙 등으로 인한 고장현상이 있으므로 사용설명서의 취급법과 주의사항 등을 보시면 고객 여러분의 손으로도 간단히 해결되는 경우가 있습니다.

서비스를 요청하시는 방법은?

요청하실 때는 고장상태를 정확히 알려 주십시오.

이때 보증서를 함께 제시하시면 보증서에 기재된 내용에 따라 유상, 무상수리의 구분이 됩니다.

㈜대명엔터프라이즈 웹게이트부문

경기도 군포시 금정동 689-6 한림벤처타운6층

대 표 TEL : 031-428-9300 / 고객지원 TEL : 1644-3421

아래 사항에 따른 고장은 유상 처리됩니다.

1. 사용자 취급 부주의에 의한 고장
2. 정격 전원외의 전원 연결 시
3. 사용자 임의로 분해, 수리한 경우
4. 자연재해에 의한 고장 (화재, 홍수, 해일, 등)
5. 소모품 교체 시



ENTERPRISE

WEBGATE

1. 電源周波数に基づいてフレームレート設定上のチェック

- 電源周波数が50Hz (PAL) の地域ではフレームレート25Hzに、60Hz (NTSC) の地域では30Hzに設定してください。(OSD : システム→ フレームレート)

2. フォーカス調整

D&Nレンズを使った場合でも、昼間にフォーカス調整をし、その後、夜間にフォーカスがずれることを避けるために、以下の手順に従って、フォーカスの設定を行ってください。

- 1) 角度とフォーカスの調整は、ズーム及びフォーカスレバーを使って行ってください。

AF モデルの場合は、ジョイスティックを動かすことでアングル調整が可能です。
(上方向: Tele, 下方向: Wide, 左方向: Near, 右方向: Far).

- 2) ジョイスティックを1秒以内に短く押して焦点調整 (Adjust Focusing) モードに入り、焦点を合わせます。AFモデルはオートフォーカシング (Auto Focusing) モードが実行されると自動的にフォーカスを合わせます。

- 3) ジョイスティックを短く押して、“フォーカス調整モード”を終了します。

* フォーカス調整モード“では、正しくフォーカスを調整するために2度ズームインを行います。

3. 設置環境に応じたシャッターモードの設定

動的被写体のぼやけを最小化するために、設置環境に応じて以下のようにシャッターモードの設定を行ってください。

- オート: 低照度下で、カメラを最適化することができます。しかし、被写体がある速度を越えると、ぼやけを生じる可能性があります。DSSやWDRは、使用することができます。
- 屋内: 屋内では、人の動きをシャープにすることができます。
- 屋外: 屋外では、自動車のような動的被写体のイメージをシャープにすることができます。

* DSS, WDR 及び低照度対応機能は、屋内/屋外モードに限定されます。設置環境に応じた設定がされておらず、部分的な露出不良を起こすことがあります。

4. 雨漏れや高い湿度のところへの設置はしないようにしてください。カメラが水にぬれると、故障や火災を発生する可能性があります。

5. 電源アダプタは、DC12V または AC24V (500mA 以上) を使用してください。

6. 故障の場合は、お買い上げのディーラーにご連絡ください。ご自分で修理を行わないようにしてください。

7. 製品に衝撃や振動を与えないようにしてください。

8. 過度な高温、低温環境下の場所には設置できません。温度が50℃以上または0℃以下では、画質の低下を招く可能性があります。

9. カメラレンズを太陽など、強烈な光に直接さらさないよう、特に注意をしてください。

10. ユーザー自身による製品の修理や分解及び天災による故障については、保証期間内であっても、保証の対象にはなりません。

特徴

HD-SDI ビデオ デジタル信号

HD-SDI(High Definition Serial Digital Interface) は、放送用の非圧縮デジタル信号です。アナログカメラに比べて、高画質画像を画像ロスなく送ることができます。

2M, Full HD 高解像度の画質

従来のSDレベルのカメラに比べて、Full HD(1920x1080)は、6倍の解像度を有しており、これは、1/3" 200MピクセルプログレッシブCMOSにより実現しています。

低照度環境下での高性能実現

CMOSセンサーに関する画像処理技術により、低照度下で高い性能を実現しています。

(B/W : 0.0005 Lux / Color : 0.2Lux@50IRE, F.1.4, 3100K, DSS OFF)

屋内/屋外性能

屋内でのゆっくり歩く人や、屋外での車の速い動きまで、動的被写体のぼやけを最小化するように、撮影環境にあわせた信号処理の最適化を行っています。

3D-DNR

低照度環境下で、3D-DNRを使って、ノイズを取り除くことによって、暗いところでの画質をシャープでクリアにします。

トゥルー デイ & ナイト 機能

昼夜を自動検出し、最適なIR-Cut フィルタに切り替えることで、カメラを最適な状態に設定します。

WDR/BLC/ACE/HLC

これは、強烈な逆光に対する補正機能です。逆光により、画像中、明るい部分と暗い部分の差が著しい場合に、選択的照度調整を使って、画像のバランスを保つための機能です。

オートフォーカス機能 (AF モデル)

ワンクリックでフォーカス調整ができる機能です。

フォーカス調整機能

D&Nレンズを使った場合でも、昼間にフォーカス調整をし、その後、夜間にフォーカスがずれることを避けるために、“フォーカス調整モード”を使いますと、昼夜に関係なくクリアな画像を得ることができます。

プライバシー保護






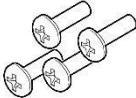
設置場所により、この製品は28の異なるエリアについて、プライバシーのためのマスキングをかけることが可能です。

OSD コントロール 及び F/W アップグレード

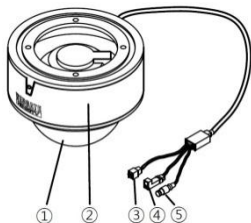
OSD コントロール及びファームウェアアップグレードは、遠隔のPCで、DVRとのRS485での通信により行うことができます。

同梱付属品

付属品がすべて同梱されているかご確認ください。

		
カメラ		取扱説明書
		
キャップ	L レンチ	ネジ

製品説明



No	名前
1	ドームカバー
2	カメラ
3	RS485ポート
4	電源入力ポート
5	画像出力ポート

カメラ設定

フォーカス設定（フォーカス調整）

夜間にフォーカスが甘くなることを避けるために、“フォーカス調整モード”を使った調整を以下に示します。

1. ズーム及びフォーカス

レバーを動かして、アングル及びフォーカスを調整します。

AF モデルでは、ジョイスティックを動かして、角度の調整ができます。

（上方向: Tele, 下方向: Wide, 左方向: Near, 右方向: Far）。

2. ジョイスティックを短く押して、“フォーカス調整モード”に入ります。

A Fシリーズでは、ジョイスティックを短く押し、オートフォーカスモードを作動させて、自動的にフォーカスをあわせることができます。

3. ジョイスティックを短く押して、“フォーカス調整モード”を終了します。

※ オートフォーカシングモードでは、正確な焦点調整のため、映像が2倍拡大となります。

オートフォーカス操作上の注意

フォーカス設定上の不具合は、以下の状況で起こることがあります。

1. オートフォーカス動作の最中に、被写体が突然動いた、あるいは、なくなった、新しい被写体が現れた場合。
2. 明るさが急に変わった場合。
3. コントラストが低い画像
4. 被写体の前または、周囲に強い光がある場合。
5. レンズに、汚れがある場合。
6. オートフォーカス機能を使う場合の環境が、適当でない場合は、マニュアルでのフォーカス調整を行うか、コントラストの強い被写体に対して、オートフォーカスを行ってください。

モニター接続

1. カメラとモニターとの接続には、同軸ケーブルを使ってください。
2. モニターは、SDIに対応していることが必要です。
3. もし、モニターが、SDIをサポートしていない場合、(HDMIサポートの)液晶モニターで、HDMIコンバーターを使用してください。

BNC コネクタ接続上の注意

BNC コネクタの終端抵抗は、75Ωを使ってください。

50Ω を使われる場合、伝送距離は、約10m短くなります。

ケーブル選択上の注意

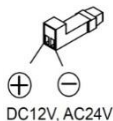
HD-SDIの最大伝送距離は、ケーブルの製造メーカーと設置環境によって変わります。

同軸ケーブルの選定には、以下のチャートを参照してください。

ケーブルタイプ	伝送距離	目的
2V	約 100M	アナログ信号
4C-FB(T), 4C-HFB(T), RG59	約 150M	高圧縮ケーブル, 2重または3重シールドを推奨
5C-FB(T), 5C-HFB(T), L-6CHD, RG6	約 200M	HD-SDI 用に開発されたケーブル

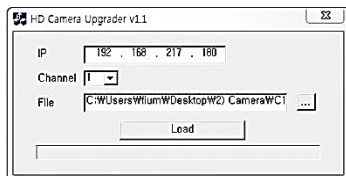
電源接続

アダプタは、DC12V or AC24Vを使用してください。DC 電源を使用する場合には、接続時、極性に注意をしてください。



OSD コントロール 及び RS485での通信を使ったファームウェアのアップグレード

1. カメラとDVR をRS485で接続してください。
2. PTZ に、プロトコル(C1080), ポーレート (通信速度)、DVR のアドレスなどを設定して下さい。
3. HD カメラアップグレードプログラムを起動してください。その後、カメラと接続したDVR のIPと、アップグレードするカメラのチャンネルを選択して下さい。
 - PC for ファームウェアアップグレードをするPC及び、DVR は、ネットワークに接続していることが必要です。
 - HD カメラアップロードプログラムおよびファームウェアは、製造元のウェブサイトからダウンロードすることができます。



4. アップグレード用のファームウェアを選択し、LOADボタンを押すと、ファームウェアのアップグレードが始まり、カメラは再起動されます。
 - 画像は、再起動が完了するまで、停止されます。
 - もし、画像が1分以上停止している場合、選択したチャンネルでAux1を選び、再びカメラを再起動して下さい。
5. アップグレードが完了した後は、DVR や CMS(Control Center)を使って、遠隔地から、カメラの設定を変えることが可能です。

OSD メニューの使い方

OSD メニュー機能

メニューボタンを1秒以上押し続けると、OSDが現れます。

- OSD メニューが閉じられていないときには、1分以内に自動的に閉じられます。

(しかし、変更後の設定値は保存されません。)

- 下線付きの太字は、工場出荷時のデフォルトを意味します。

OSD メニュー	機能
フォーカス調整	メニューボタンを1秒以内短く押すと、“フォーカス調整モード”が立ち上がります。 <ul style="list-style-type: none">- フォーカス調整の後、メニューボタンをもう一度押すと、“フォーカス調整モード”は終了します。- 手で閉じない場合には、“フォーカス調整モード”は、自動的に終了します。
レンズ	DC (AF Model) これは、自動またはマニュアルで、フォーカス調整ができるDC Iris オートフォーカスレンズです。

		<ul style="list-style-type: none"> - オートフォーカス : ジョイスティックをワンクリックして自動調整します。 - ズーム (AF) : Tele, Wide. 方向にズームレンズを動かしてフォーカス調整をします。 - マニュアル : ジョイスティックを上下 (Tele, Wide), 左右 (Near, Far) に動かしてアングルとフォーカスをマニュアルで調整します。 - D&N AF : デイ&ナイトモードが変わるときにオートフォーカスを行います。
デイ & ナイト	カラー	明るさに関係なく、カラー (昼) モードを維持します。
	B&W	明るさに関係なく、白黒 (夜) モードを維持します。
	オート	<p>明るさに応じて、システムは、カラーモードから白黒モードに自動的に切り替わります。</p> <ul style="list-style-type: none"> - この数値は、昼夜切り替えの標準値です。ハイモードでは、カメラは、比較的高い照度レベルで、ナイト (夜) モード (B/W) に切り替わります。 - ANTI HUNT (LOW, MIDDLE, HIGH) : この値は、閾値の標準値です。ハイモードでは、フリッカーは減少します。 - 遅延時間 (3~30秒) : 時間設定
露出	明るさ (11, 0~20)	<p>画像の明るさを調整します。</p> <p>High 値が高くなるほど、より明るい画像になります。</p>
	シャッター	<p>オート : 明るさに応じて、自動的にシャッタースピードが1/30以内の範囲で、変化します。</p> <p>MANUAL : ユーザーは、シャッタースピードを、1/30 から 1/60000の範囲で、マニュアルで変えることができます。</p> <p>屋内 : 屋内環境に最適化。</p> <p>屋外 : 屋外環境での動きの早い被写体 (車など) に最適化</p> <p>アンチフリッカー : 光源周波数の不一致によるフリッカーを取り除きます。特に、日本での使用に対応。</p>
	DSS (OFF, x2~x10)	夜などの低照度環境下で、受光量を増やし、より明るい画像を得ることができます。しかし、この値が高くなると、動的被写体のぼやけが大きくなります。
	AGC (7, 1~10)	この数値が高くなると、画像は明るくなりますが、ノイズも多くなります。
カラー	AWB	<ul style="list-style-type: none"> - AUTO : 1,700° K ~ 11,000° K の範囲で、色温度により、最適化されます。 I- PRESET : 現在の光環境下でのホワイトバランスを最

		<p>適化するために、カメラの前に白い紙を置き、MENU ボタンを押してください。</p> <ul style="list-style-type: none"> - MANUAL : ユーザーは、3300K, 4300K, 7600K 色温度を調整し、KELVIN や、R-GAIN および B-GAIN 値を制御して画像を詳細に調整することが可能です。
	CHROMA (10, 0 [~] 20)	色度レベルの調整
画像	シャープネス (5, 0 [~] 10)	画像のシャープネス調整 数値が高くなると、画像が鮮明(クリア)になります。
	水平方向-ミラー	画像の左右の反転
	垂直方向-ミラー	画像の上下の反転
	デジタルズーム	16 ステップでのズーム画像 (1 [~] 16)
	プライバシー	これは、あるエリアをマスキングします。 <ul style="list-style-type: none"> - ZONE NO : トータル28 エリアを設定します。 (0[~]27) - ZONE OP : 選択エリアのマスキング有無設定。 選択エリアの確認 - X, Y-位置 : 選択された横/縦 位置の設定 - X, Y-サイズ : 選択された横/縦 サイズの設定 - カラー(白, イエロー, シアン, グリーン, マゼンタ, 赤, 青, 黒) : マスキングの色設定 - 透明度(0[~]4) : マスキングエリアの透明度設定
	シェーディング DET	シェーディング設定の前に、カメラの前に白い紙を置き、画像に異常がないことを確認の上、SHADING DET を行います。
シェーディング	レンズの光と影の差を補償します。ただし、この機能を使用する場合には、システムメニューのシェーディング DET を先に起動しておいてください。	
WDR ワイドダイナ ミックレンジ	これは、明るい部分と暗い部分を同時に見る際の3D逆光補正です。 <ul style="list-style-type: none"> - WDR WGT(0[~]4) : イメージ混合比の選択: 比率が高くなると、明るい被写体はよりクリアになります。 	
BLC 逆光補正	逆光補正の機能 <ul style="list-style-type: none"> - BLC レベル(ロー, ミドル, ハイ) : BLCレベルの設定 - BLC OSD : 画面上、設定された BLC エリア - BLC POS-X, Y : 縦/横 位置の設定 - BLC SIZ-X, Y : 縦/横 サイズの設定 - MASK : BLC エリア内の露出に基づいて、画像の露出を補償します。 - MASK レベル(0[~]10) : マスキングの照度レベルの設定 	
HLC	マスキングされた部分の露出が標準値を超えると、露出の値が補償されません。 <ul style="list-style-type: none"> - レベル(5, 0[~]10) : マスキングの照度レベルの設定 - カラー : マスキングカラーの設定 	

ACE (ON, OFF)		暗部の明るさをアップすることで、画質を高めます。
	DNR (LOW, MIDDLE , HIGH)	低照度環境下で画像ノイズを減少させます。
フレームレート (25Hz, 30Hz)		電源周波数 60Hz (NTSC) : 30Hz (fps) ビデオ出力 電源周波数 50Hz (PAL) : 25Hz (fps) ビデオ出力
システム	モデル	モデル名を表示
	CAM ID	最大 8 桁のカメラ名。 アルファベット、数字、特殊文字使用
	RS485 ID	RS485 IDを設定
	バージョンN	F/W バージョンを表示
	解像度	出力解像度の設定 (1080p/720p)。
	デジタルアウト / I R - L E D	画像処理に同期した出力信号で補助光源を制御します。 - 持続時間DURATION(0~20) : TTL信号出力1サイクルでの振幅持続時間を設定。(単位: msec) - 極性 : TTL信号の基本的な出力レベルの設定。 (0 : 0V , 1 : 3.3V) * 出力周期は、30Hz/25Hzで決定されます。
	ポーレート (9600 57000)	伝送速度の設定 (BPS)
	RESET	すべての設定を工場出荷時に戻します。
EXIT	SAVE&EXIT	設定を保存し、OSDメニューを終了します。
	EXIT	設定を保存し、OSDメニューを終了します。 メニューで、1分以上、入力がない場合、OSDメニューは、保存無しに終了します。

製品仕様書

モデル	C1080D, C1080VD, C1080D-IR, C1080VD-IR C1080D-AF, C1080VD-AF, C1080D-IR-AF, C1080VD-IR-AF	
ビデオ		
センサー タイプ	1/3" 2.1Megapixel CMOS	
全面素数	1920(H) x 1080(V) = 2.1M ピクセル	
走査方式	Progressive Scan (プログレッシブ スキャン)	
最小照度	B/W (白黒)	0.0005Lux@50IRE, F1.2, 3100K, DSS(OFF), AGC(10)
	Color	0.2Lux@50IRE, F1.2, 3100K, DSS(OFF), AGC(10)
レンズ	レンズ	DC 3 ~ 10mm F1.3
	タイプ	DC オートアイリス, マニュアル
ビデオ出力	出力	1(BNC 1.0 Vp-p, 75Ω)
	解像度	1080p 30fps / 25fps

	HD-SDI	SMPTE 292M compatible
	距離	約 200m RG6 使用時, 約 150m RG59 使用時
	制御方式	OSD(内部ジョイスティック), DVR, CMS(コントロールセンター)
	フィルタ	トゥルー デイ & ナイト
	AGC	1 ~ 10 steps
	ミラー	水平方向 / 垂直方向
	WDR	OFF, 0 ~ 4 setup
	BLC	OFF, LOW, MIDDLE, HIGH
	ACE	OFF, ON
ビデオ制御	DNR	OFF, LOW, MIDDLE, HIGH
	DSS	OFF, x2 ~ x10
	ホワイトバランス	オート, プリセット, マニュアル
	電子シャッター	オート, マニュアル(12 steps), 屋内, 屋外 アンチフリッカー
	デジタルズーム	0 ~ 16 steps
	レンズシェーディング	OFF, ON
	HLC	0 ~ 10 steps
	ブライバシー	OFF/ON (28 ゾーン)

コントロールインターフェース

RS485	アップグレード ファームウェア / OSD 制御
内蔵ストレージ	24PCS

電気的仕様

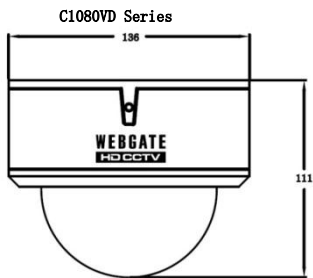
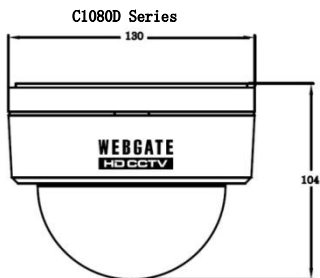
消費電力	C1080D	DC 12V ± 10%, 3W / AC 24V ± 10%, 4W
	C1080VD	
	C1080D-AF	
	C1080VD-AF	
	C1080D-IR	DC 12V ± 10%, 4W / AC 24V ± 10%, 5W
	C1080VD-IR	
	C1080D-IR-AF	DC 12V ± 10% 4W / AC 24V ± 10%, 6W
	C1080VD-IR-AF	

機械的仕様

機械的寸法	C1080D	130 (ø) x 104 (H) mm
	C1080D-IR	
	C1080D-AF	
	C1080D-IR-AF	
	C1080VD	136 (ø) x 111 (H) mm
	C1080VD-IR	
	C1080VD-AF	
	C1080VD-IR-AF	

重量	C1080D	359g
	C1080D-IR	369g
	C1080VD	759g
	C1080VD-IR	769g
	C1080D-AF	370g
	C1080D-IR-AF	380g
	C1080VD-AF	770g
	C1080VD-IR-AF	780g
環境		
動作温度 / 湿度		0 °C ~ 50 °C / 0%RH ~ 80%RH
認証		
認証		KC, FCC, CE, RoHS

機械寸法 (unit : mm)



保証書

製品名	Full HD Camera	保証期間
モデル名	C1080D, C1080VD, C1080D-IR, C1080VD-IR, C1080D-AF, C1080VD-AF, C1080D-IR-AF, C1080VD-IR-AF	購入後 2年間
購入日時	年 月 日	
保証期間	年 月 日	
シリアルナンバー		

お客様 ご住所	お名前	
	ご連絡先	
販売店住所(会社名)	名前	
	連絡先	

* 製品を販売する前に、空欄を埋めてくださるようお願いします。

★ 顧客サービスについて★

顧客サービスの前に、製品マニュアルをよくお読みください。

製品に関する顧客の誤解による単純な作動不良の場合は、顧客側で解決できる場合があります。

サービスを要求する場合には？

まず、誤作動の詳細を詳しくお知らせください。

無償、有償は保証書に記載された内容に基づいて決定されます。

WebGate Division Daemyung Enterprise Co., Ltd.

6F Hanlim Venture Town B/D 689-6, Geumjeong Dong, Gunposi, Gyeonggi-do, Korea

Main : TEL : +82-31-428-9300

Client Service : TEL : +82-1644-3421

以下のような故障の場合には、顧客の費用での修理となります。

1. 顧客の不注意による故障
2. 推奨電源以外の電源投入による故障
3. 顧客が修理を行った場合
4. 火事、洪水など、天災による故障
5. 消耗部品の交換



WEBGATE

1. Проверьте правильность параметра частоты кадров в зависимости от частоты сетевого питания в вашей сети.

- Установите частоту кадров 25Гц для стран с питанием 50Гц (PAL), 30Гц для 60Гц (NTSC). (OSD : System → Frame rate).

2. Настройка фокуса

Выполните необходимые процедуры для настройки резкости, чтобы избежать расфокусировки изображения в ночное время:

- 1) Перемещайте регуляторы зум и фокус для настройки угла обзора и фокусировки. AF модель можно настраивать с помощью джойстика (вверх: уже, вниз: шире, влево: ближе, вправо: дальше).
- 2) Настройка фокуса в меню "Настройка фокусировки" с длительностью нажатия джойстика менее 1 секунды. В случае модели AF, фокус будет настраиваться автоматически после запуска режима автоматической фокусировки.
- 3) Выход из Режимы фокусировки осуществляется нажатием кнопки Меню

- * Для того чтобы получить штраф упором, видео будет увеличена дважды в режиме настройки фокусировки.

3. Настройка режима работы диафрагмы в зависимости от окружающей обстановки

Установите правильный режим работы диафрагмы, основываясь на окружающей обстановке для минимизации эффекта смазывания для движущихся объектов.

- Auto : Этот режим может использоваться при работе с низким уровнем освещения. В этом режиме может наблюдаться эффект смазывания, если объект в кадре движется со скоростью, которая превышает определённый показатель. Функции DSS, WDR могут использоваться.
- Indoor : Данный режим позволяет движущиеся объекты в кадре сделать резкими при установке внутри помещения.
- Outdoor : Данный режим позволяет движущиеся объекты в кадре сделать резкими при установке снаружи помещения.
- * Работа функций DSS, WDR и функции накопления заряда могут быть ограничены в режиме Indoor/Outdoor. Если пользователь не выставит правильный режим работы диафрагмы, тогда изображение с камеры может не соответствовать заявленным требованиям.

4. Не устанавливайте камеру в местах большой влажности и на открытом воздухе. Жидкость, попавшая в камеру, может вывести камеру из строя.
5. Для питания камеры необходим блок питания DC12В или AC24В.
6. Обратитесь к вашему локальному дистрибьютору в случае поломки камеры.
7. Пожалуйста, не подвергайте камеру физическому воздействию и вибрации.
8. Не устанавливаете камеру в местах чрезвычайно подверженных холоду и теплу. Возможен выход из строя камеры при работе при температурах более +50°C и менее 0°C.
9. Пожалуйста, не направляйте камеру прямо на солнце.
10. Гарантия будет недействительна, если продукт был вскрыт.

ПРЕИМУЩЕСТВА

Цифровой выходной сигнал HD-SDI

HD-SDI(High Definition Serial Digital Interface) – это несжатый цифровой сигнал видео высокой четкости для индустрии телевидения, который передается по коаксиальному кабелю.

Видео высокой четкости 2M, Full HD

Изображение с разрешением Full HD(1920x1080) дает в 6 раз лучше изображение по сравнению с обычным аналоговым видео.

Функции улучшения изображения в условиях низкой освещенности

Высокое качество изображения в условиях низкой освещенности достигается путем дополнительных технологий, которые реализованы на CMOS сенсоре.

(Ч/Б : 0.0005 Lux / Цвет : 0.2Lux@50IRE, F.1.4, 3100K, DSS OFF)

Режим работы диафрагмы Indoor/Outdoor

Специальные режимы работы диафрагмы Indoor/Outdoor позволяют вам получить четкое изображение и исключить режим смазывания движущегося человека с камеры внутри помещения и быстро движущейся машины с камеры снаружи помещения.

Цифровое шумоподавление 3D-DNR

Вы получаете чистое и резкое изображение в условиях низкой освещенности при помощи использования функции цифрового шумоподавления 3D-DNR, которая удаляет шум из кадра.

Функция День/Ночь

В камере реализована функция День/Ночь, которая использует удаляемый ИК фильтр, который убирается в режиме низкой освещенности.

WDR/BLC/ACE/HLC

Данные функции позволяют вам получать четкое изображение при наличии задних засветок и плохого контраста сцены. Данные функции позволяют вам получить четкий контраст сцены между светлыми и темными участками.

Режим автоматической фокусировки

Это позволяет вам настроить камеру на резкость в одно нажатие.

Настройка фокусировки

Функция позволяет корректно настроить фокус днем так, чтобы в темноте фокусировка не сбилась. Даже если используется объектив день/ночь эта функция помогает получить четкую картинку как днем, так и ночью.

Поддержка конфиденциальности






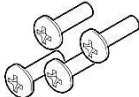
Камера может поддерживать до 28 конфиденциальности маскировки областей.

OSD меню и возможность обновления прошивки

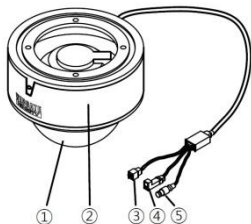
Вы можете управлять OSD меню и обновлять программное обеспечение при помощи ПК по интерфейсу RS-485 с регистратора.

Комплект поставки:

Пожалуйста удостоверьтесь, что все компоненты присутствуют в комплекте.

		
Camera		Install / User Manual
		
Cap	L rench	Iron Screw

Описание изделия



No	Имя
1	Крышка камеры
2	Камера
3	Порт RS485
4	Разъем питания
6	Видеовыход

Установка камеры

Режим автоматической настройки диафрагмы

Выполните необходимые процедуры для настройки резкости, чтобы избежать расфокусировки изображения в ночное время:

- 1) Перемещайте регуляторы зум и фокус для настройки угла обзора и фокусировки. AF модель можно настраивать с помощью джойстика (вверх: уже, вниз: шире, влево: ближе, вправо: дальше).
 - 2) Настройка фокуса в меню "Настройка фокусировки" с длительностью нажатия джойстика менее 1 секунды. В случае модели AF, фокус будет настраиваться автоматически после запуска режима автоматической фокусировки.
 - 3) Выход из Режимы фокусировки осуществляется нажатием кнопки Меню
- ※ Для того чтобы получить штраф упором, видео будет увеличена дважды в режиме настройки фокусировки.

Примечание для работы режима автоматической фокусировки

Режим автоматической настройки фокуса может работать некорректно из-за следующих параметров:

1. Когда в кадре происходит изменение сцены наблюдения или происходит движение в процессе работы режима автофокуса.
2. Когда в кадре происходит изменение яркости.
3. Когда изображение имеет низкий контраст.
4. Когда в объектив камеры попадает прямое солнечное излучение или очень яркая общая сцена изображения.
5. Когда на объективе находится инородный предмет.
6. В случае если режим автоматической фокусировки не работает должным образом, тогда попробуйте настроить фокус в ручном режиме или попробуйте провести автоматическую фокусировку на более контрастной сцене.

Подключение монитора

1. Используйте коаксиальный кабель для подключения камеры к монитору.
2. Монитор должен поддерживать формат SDI.
3. Если монитор не имеет входа SDI, тогда подключите камеру к входу HDMI при помощи использования дополнительного конвертора.

Предосторожности для разъема BNC

BNC разъем должен иметь импеданс 75 Ом.

В случае использования 50Ω разъема, дальность передачи будет снижена примерно на 10 метров.

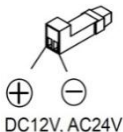
Предосторожности при выборе кабеля

Максимальная дистанция передачи сигнала HD-SDI будет сильно отличаться от производителя кабеля и условий установки. Используйте таблицу ниже для выбора коаксиального кабеля.

Тип кабеля	Тип кабеля	Тип кабеля
2V	около 100м	Для аналогового сигнала
4C-FB(T), 4C-HFB(T), RG59	около 150м	Высококачественный кабель, рекомендуется использовать кабель с двойным экраном
5C-FB(T), 5C-HFB(T), L-6CHD, RG6	около 200м	Специальный кабель для HD-SDI

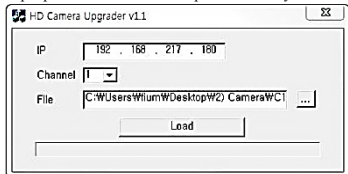
Подключение питания

Блок питания должен быть DC12V или AC24V. В случае использования блока питания постоянного напряжения, соблюдайте полярность подключения.



Управление OSD меню и функция обновления прошивки по протоколу RS485

1. Подключите DVR к камере по интерфейсу RS485.
 2. Установите на регистраторе протокол передачи (C1080), скорость, и адрес.
 3. Запустите программу обновление прошивки «HD Camera Upgrader». Затем укажите IP адрес подключенного регистратора, к которому подключена камера. Укажите номер канала камеры.
- ПК с запущенной программой обновления и регистратор должны быть подключены к сети.
 - Программа обновления и прошивки могут быть загружены с сайта производителя



4. Выберите файл прошивки и нажмите кнопку загрузки «Load». Начнется процесс обновления прошивки. Затем камера будет перезагружена.
- Изображение от камеры замрет до окончания процесса перезагрузки.
 - Если изображение с камеры замерло на длительность более одной минуты, выберите пункт «Aux1» на выбранном канале. Затем камера будет автоматически перезагружена.
5. После окончания обновления прошивки вы можете производить изменения настроек камеры с DVR и из программы просмотра CMS(Control Center).

Как использовать OSD меню

Функции OSD меню

При удержании кнопки MENU более одной секунды, будет отображено OSD меню.

- После одной минуты неактивности, OSD меню будет автоматически закрыто, но измененная конфигурация не сохраниться. (Значение изменения конфигурации не будут сохранены)
- Жирный подчеркнутый шрифт означает значения по умолчанию.

OSD MENU		Function
ADJUST FOCUSING (АВТОФОКУСИ РВОКА)	Если удерживать кнопку меню менее 1 сек, тогда будет активирован режим автоматической фокусировки. - Настройте угол обзора и резкость на объективе. - Путем кратковременного нажатия на кнопку «Menu» будет выполнена автоматическая настройка резкости.	
LENS (ОБЪЕКТИВ)	DC(AF Model)	Это означает, что используется прямое управление диафрагмой объектива. Резкость может быть настроена в ручном или в автоматическом режиме. - Autofocus: Происходит автоматическая фокусировка в одно касание джойстика.

		<ul style="list-style-type: none"> - Zoom(AF): Автоматическая фокусировка при изменении фокусного расстояния (ближе/дальше), - Manual: Ручной режим настройки угла обзора и резкости. - D&N AF: Автофокусировка при переходе в ночной и дневной режимы.
DAY & NIGHT (ДЕНЬ/НОЧЬ)	Color	Удерживать всегда цветное изображение, несмотря на уровень освещенности.
	(Цвет)	Удерживать всегда ч/б изображение, несмотря на уровень освещенности.
	Auto (Авто)	<p>В соответствии с условиями освещенности камера будет автоматически переключаться между дневным и ночным режимами.</p> <ul style="list-style-type: none"> - Это стандартное значение для режима День/Ночь. Здесь указывается порог переключения в ночной режим. Режим high означает, что переключение в ч/б режим будет происходить при максимальной освещенности. - ANTI HUNT(LOW, MIDDLE, HIGH): Данный параметр указывает границу срабатывания. Значение high исключает появление эффекта постоянного переключения между режимами. - DELAY TIME(3~30sec): Время задержки между переключениями.
EXPOSURE (ЭКСПОЗИЦИЯ)	BRIGHTNESS (8, 0~20) (ЯРКОСТЬ)	<p>Настройте яркость изображения.</p> <p>Большее значение означает большую яркость выходного сигнала.</p>
	SHUTTER (СКОРОСТЬ ЗАТВОР)	<p>AUTO: Скорость затвора будет автоматически регулироваться в зависимости от освещенности.</p> <p>MANUAL: Ручная установка скорости затвора между 1/30 и 1/60000 секунды.</p> <p>INDOOR : Режим оптимизирован для установки внутри помещений.</p> <p>OUTDOOR : Режим оптимизирован для установки внутри помещений. Например, для быстро движущихся объектов.</p> <p>ANTI-FLICKER : Режим антимерцания может быть включен при установке камеры в зоне обзора ламп дневного света.</p>
	DSS (OFF, x2~x10)	Режим накопления заряда включается в условиях низкой освещенности. Данная функция работает в режиме накопления заряда нескольких кадров. Это

		позволяет поднять чувствительность статических объектов, но может наблюдаться эффект смазывания на движущихся объектах.
	AGC (7, 1~10)	Автоматическая регулировка усиления АРУ. Здесь вы указываете максимальный параметр коэффициента усиления в условиях низкой освещенности. Большой коэффициент вызывает также и усиление шумов.
COLOR (Цветопередача)	AWB (Автоматический баланс белого)	<ul style="list-style-type: none"> - AUTO (Авто): Баланс белого будет устанавливаться автоматически в пределах температуры 1,700°K ~ 11,000°K. - PRESET (Установка баланса белого): Для установки правильного баланса белого расположите лист белой бумаги перед камерой и нажмите кнопку «MENU». - MANUAL (Ручной режим): Вы можете в ручном режиме задать температуру баланса белого: в качестве температуры 3300K, 4300K, 7600K и прямых значений R-GAIN, B-GAIN.
	CHROMA (10, 0~20)	Отрегулируйте уровень насыщенности тонов.
IMAGE	SHARPNESS (5, 0~10) (Резкость)	Настройте уровень резкости изображения. Большее значение означает более чистое изображение.
	H-MIRROR	Позволяет зеркально перевернуть слева направо.
	V-MIRROR	Позволяет зеркально перевернуть сверху вниз.
	Digital ZOOM	Цифровое увеличение. (1~16)
	PRIVACY	<p>Для указания зон маскирования.</p> <ul style="list-style-type: none"> - ZONE NO : Номер приватной области. (0~27) - ZONE OP: Подтверждение выбора выбранной области. - X, Y-POS: Установка положение курсора - X, Y-SIZE: Настройка размера области. - COLOR(WHT,YEL,CYN,GRN,MAG,RED,BLU,BLK) : Выбор цвета маски. - TRANS(0~4): Настроить уровень прозрачности.
	SHADING DET	Перед включением режима компенсации образования тени на объективе «SHADING» вам нужно провести диагностику тени на объективе. Расположите белый лист бумаги перед объективом и включите режим «SHADING DETECTION»
	SHADING	Данный параметр компенсирует различие освещения и тени на объективе. Для работы этой функции вы должны запустить сначала приложение по диагностике

		тени «Shading DET» в системном меню.
WDR		Расширенный динамический диапазон является 3D моделью компенсации засветки заднего фона. Это позволяет вам одинаково хорошо видеть яркие и темные участки сцены вместе. - WDR WGT(0~4): Выберите параметр соотношения темной и светлой области. Большое значение обеспечивает более яркое отображение светлой области.
BLC		Функция засветки заднего фона (BLC). - BLC LEVEL(LOW, MIDDLE, HIGH) : Настройте уровень BLC низкий, средний, высокий. - BLC OSD : Отобразить настроенную область BLC на экране. - BLC POS-X, Y : Установка положение курсора - BLC SIZ-X,Y : Настройка размера области. - MASK : Установка маски BLC на область засветки. - MASK LEVEL(0~10) : Настройте уровень яркости самой маски.
HLC		После установки маски BLC на область засветки и превышения значения в области сцены наблюдения будет происходить компенсация данного параметра. - LEVEL(5, 0~10) : Установите значение яркости маски. - Color : Настройте цвет маски
ACE (ON, OFF)		Увеличение качества изображения, путем осветления более темных участков сцены. (ВКЛ / ВЫКЛ)
DNR (LOW, MIDDLE , HIGH)		Функция цифрового шумоподавления в условиях низкой освещенности (Низкий/Средний/Высокий)
FRAMERATE (25Hz, 30Hz) (Частота кадров (25 Гц, 30 Гц))		Частота развертки 60 Гц (NTSC) : 30 Гц видео выход Частота развертки 50 Гц (PAL) : 25 Гц видео выход
SYSTEM	MODEL	Отображает имя модели
	CAM ID	Наименование камеры, 8 символов
	RS485 ID	Адрес камеры RS485
	VERSION	Версия прошивки
	RESOLUTION	Установка разрешения (1080p/720p).
	DIGITAL OUT / IR-LED	Камера позволяет выдавать сигнал для включения дополнительных источников освещения. - DURATION(0~20): Установка длительности выходного TTL сигнала (мсек) - POLARITY : Указывает полярность TTL сигнала. (0 : 0V , 1 : 3.3V)
	BOARDRATE (9600 , 57000)	Укажите скорость передачи по RS485.
	RESET	Сброс в заводские установки.
EXIT	SAVE&EXIT	Сохранение конфигурации и выход из меню
	EXIT	Выход без сохранения

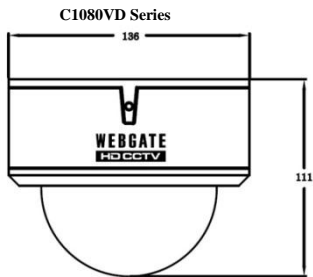
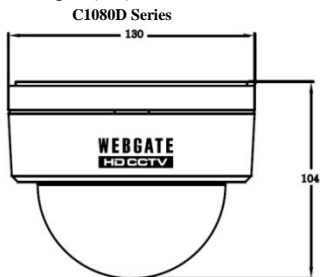
		После истечения времени неактивности в течении 5 сек, будет произведен автоматический выход из меню.
--	--	--

СПЕЦИФИКАЦИЯ

Модель		C1080D, C1080VD, C1080D-IR, C1080VD-IR C1080D-AF, C1080VD-AF, C1080D-IR-AF, C1080VD-IR-AF
Параметры видео		
Тип сенсора		1/3" 2.1Megapixel CMOS
Количество пикселей		1920(H) x 1080(V) = 2.1М пикселей
Система сканирования		Прогрессивное сканирование
Мин. освещенность	Ч/Б	0.0005Lux@50IRE, F1.2, 3100K, DSS(ВКЛ.), АРУ(10)
	Цвет	0.2Lux@50IRE, F1.2, 3100K, DSS(ВЫКЛ.), АРУ(10)
Объектив	Объектив	DC 3-10мм F1.3
	Тип диафрагмы	Автоматическая DC
Выход видео	Выход	1(BNC 1.0 Vp-p, 75Ом)
	Разрешение	1080p 25 кадров/сек
	HD-SDI	Совместимое с SMPTE 292M
	Дистанция	около 200м RG6, 150м RG59
Управление видео	Метод управления	OSD(внутренний джойстик), Регистратор, CMS(программа просмотра)
	День/Ночь	ИК фильтр
	АРУ	1 ~ 10 шагов
	Зеркало	Горизонтальное / Вертикальное
	WDR	ВЫКЛ., 0 ~ 4 настройки
	BLC	ВЫКЛ., НИЗКИЙ, СРЕДНИЙ, ВЫСОКИЙ
	ACE	ВЫКЛ., ВКЛ.
	DNR Цифровое шумоподавление	ВЫКЛ., НИЗКИЙ, СРЕДНИЙ, ВЫСОКИЙ
	Режим накопления заряда DSS	ВЫКЛ., x2 ~ x10
	Баланс белого	АВТО, УСТАНОВКА, РУЧНОЙ
	Электронный затвор	АВТО, РУЧНОЙ(12 шагов), ВНУТР., ВНЕШН., АНТИ МЕРЦАНИЕ
	Цифровое увеличение	0 ~ 16 шагов
	Функция компенсации тени с объектива	ВЫКЛ, ВКЛ.
	HLC	0 ~ 10 шагов

	Приватные области	ВЫКЛ./ВКЛ. (28 областей)
Управление		
RS485	Обновление прошивки / OSD меню	
Лампа для внутренней подсветки	24PCS	
Электрические параметры		
Потребление питания	C1080D	DC 12V ± 10%, 3W / AC 24V ± 10%, 4W
	C1080VD	
	C1080D-AF	
	C1080VD-AF	
	C1080D-IR	DC 12V ± 10%, 4W / AC 24V ± 10%, 5W
	C1080VD-IR	
	C1080D-IR-AF	DC 12V ± 10% 4W / AC 24V ± 10%, 6W
	C1080VD-IR-AF	
Механические параметры		
Размеры	C1080D	130(φ) x 104(B)мм
	C1080D-IR	
	C1080D-AF	
	C1080D-IR-AF	
	C1080VD	136(φ) x 111(B)мм
	C1080VD-IR	
	C1080VD-AF	
	C1080VD-IR-AF	
Вес	C1080D	359г
	C1080D-IR	369г
	C1080VD	759г
	C1080VD-IR	769г
	C1080D-AF	370г
	C1080D-IR-AF	380г
	C1080VD-AF	770г
	C1080VD-IR-AF	780г
Условия эксплуатации		
Температура работы / Влажность	0 °C ~ 50 °C / 0% ~ 80%	
Сертификаты		
Сертификаты	KC, FCC, CE, RoHS	

Размеры (мм)



гарантия

Тип продукции	Камера Full HD	Гарантийный период
Название модели	C1080D, C1080VD, C1080D-IR, C1080VD-IR C1080D-AF, C1080VD-AF, C1080D-IR-AF, C1080VD-IR-AF	2 года с даты покупки
Дата покупки	Года Месяц день	
Гарантийный срок	Года Месяц день	
Серийный номер		

Адрес заказчика	Имя	
	Контакт	
Адрес магазина (название компании)	Имя	
	Контакт	

◆ Пожалуйста, заполните пустые ячейки перед продажей оборудования.

★ Пожалуйста, заполните пустые ячейки перед продажей оборудования. ★

Пожалуйста, внимательно изучите инструкцию на товар прежде чем обращаться в службу поддержки или отправлять оборудование в ремонт.

Простые неисправности, вызванные непониманием оборудования клиентом, будут устраняться за счёт клиента.

Что делать для запроса обслуживания?

Пожалуйста, сообщите подробности неисправности правильно.

Следует ли выполнить ремонт бесплатно, будет решаться на основе записей в гарантийном талоне.

WebGate Division Daemyung Enterprise Co., Ltd.

6F Hanlim Venture Town B/D 689-6, Geumjeong Dong, Gunposi, Gyeonggi-do, Korea

Main : TEL : +82-31-428-9300

Client Service : TEL : +82-1644-3421

Гарантийное обслуживание не осуществляется и ущерб устраняется / компенсируется за счёт клиента в следующих случаях:

1. Любой ущерб происходит по неосторожности клиента
2. В случае, если на устройство подано неправильное питание
3. В случае попытки самостоятельного ремонта
4. Любой ущерб происходит от стихийных бедствий (пожар, наводнение, и т.д.)
5. Замена расходных запчастей и материалов сторонних производителей



ENTERPRISE

WEBGATE

1. Prüfen Sie, ob die Bildfrequenz entsprechend der vorliegenden Stromfrequenz eingestellt ist

- Stellen Sie in Gebieten mit einer Wechselstromfrequenz von 50 Hz (PAL) die Bildfrequenz auf 25 Hz und in Gebieten mit 60 Hz (NTSC) auf 30 Hz ein.
(Bildschirmmenü :System → Bildfrequenz).

2. Einrichten des Fokus

Richten Sie bitte den Fokus wie folgt ein, um den Verlust des Fokus bei Nacht zu vermeiden, obwohl ein Tag & Nacht Objektiv bei der Fokuseinstellung bei Tag verwendet wurde.

- 1) Betätigen Sie den Zoom und Fokus Hebel, um den Bildausschnitt und den Fokus einzustellen. Beim dem Autofokus Modell kann der Bildausschnitt mithilfe des Joysticks eingestellt werden. (Hoch: Tele, Runter: Weitwinkel, Links: Nah, Rechts: Fern).
- 2) Drücken Sie den Joystick kurz, um in den Adjust Focusing (Fokus einstellen) Modus zu wechseln. Bei Modellen der AF Serie kann im Adjust Focusing (Fokus einstellen) Modus der Autofokus eingeschaltet werden.
- 3) Schließen Sie den Adjust Focusing (Fokuseinstellung) Modus ab, indem Sie die Menü Taste kurz drücken.

※ Feine Fokussierung, video bekommen wird zweimal in gezoomt werden Focusing-Modus einstellen.

3. Einstellung des Verschlusses je nach Aufstellungsort

Stellen Sie den Verschluss je nach Aufstellungsort wie folgt ein, um die unscharfe Wiedergabe von sich bewegenden Objekten zu minimieren.

- Auto :Dieser Modus maximiert die Empfindlichkeit der Kamera bei schwachen Lichtverhältnissen, wobei es jedoch bei sich bewegenden Objekten, wenn diese eine bestimmte Geschwindigkeit überschreiten, zu unscharfen Bildern kommen kann.Die DSS und WDR Funktionen können verwendet werden.
 - Innenbereich :Dieser Modus liefert schärfere Bilder von z. B. Personen im Innenbereich.
 - Außenbereich :Dieser Modus liefert schärfere Bilder von z. B Fahrzeugen im Außenbereich.
- * DSS, WDR und Schwachlichtfunktionen sind im Innenbereich/Außenbereich Modus eingeschränkt.Falls die Kameraeinstellungen nicht an den Aufstellungsort angepasst werden, kann dies zu teilweise falscher Belichtung führen.

4. Nicht an Orten installieren, an denen die Kamera Regen oder hoher Feuchtigkeit ausgesetzt ist.Falls Wasser in die Kamera eindringt, kann dies zu Fehlfunktion und Feuer führen.

5. DC12V oder AC24V(500mA über) Netzteil muss verwendet werden.

6. Wenn die Sie sich im Falle einer Beschädigung bitte an Ihren Händler vor Ort.Eine Reparatur wird nichtempfohlen

7. Setzen Sie die Kamera keinen Stößen und Vibrationen aus.

8. Installieren Sie die Kamera nicht an Orten mit extrem hohen oder niedrigen Temperaturen.Im Falle von Temperaturen von über 50 °C und unter 0 °C ist mit einer abnehmenden Bildqualität zu rechnen.

9. Bitte achten Sie besonders darauf, dass das Kameraobjektiv nicht direkt auf Sonnenlicht oder starke Lichtquellen gerichtet ist.

10. Bei eigenhändiger Reparatur oder Demontage der Kamera durch den Benutzer, geht der Garantieanspruch verloren. Schäden, die durch Naturkatastrophen entstanden sind, unterliegen ebenfalls nicht der Garantie, auch wenn die Garantiezeit des Produkts noch nicht abgelaufen ist.

Funktionen

Digitales HD-SDI Videosignal

Bei HD-SDI (High Definition Serial Digital Interface) handelt es sich um ein nicht komprimiertes Übertragungssignal, das im Vergleich zu analogen Kameras verlustfreie Videobilder mit hoher Qualität übertragen kann.

Hohe Bildqualität durch 2M Full HD Auflösung

Die Full HD Auflösung (1920x1080) ist im Vergleich zu SD Kameras 6 mal höher und liefert durch den progressiven CMOS scharfe Bilder mit 1/3" 200Megapixel

Hohe Leistung bei schwachen Lichtverhältnissen

Durch die Optimierung der Bildverarbeitungstechnologie des CMOS-Sensors wurde eine hohe Leistungsfähigkeit bei schwachen Lichtverhältnissen erreicht.

(S/W :0.0005 Lux / Farbe :0.2Lux bei 50IRE, F.1.4, 3100K, DSS AUS)

Innenbereich/Außenbereich Funktion

Erzeugung scharfer Bilder durch die Minimierung der unscharfen Wiedergabe von Bewegungen sich langsam bewogender Personen im Innenbereich und sich schnell bewogender Fahrzeuge im Außenbereich durch die an die Umgebung angepasste Optimierung der Signalverarbeitung.

3D-DNR

Deutliche und scharfe Bilder an dunklen Aufstellungsorten durch die 3D-DNR Technologie, welche das Bildrauschen bei schwachen Lichtverhältnissen reduziert.

Tag und Nacht Umschaltung

Durch die automatische Erkennung der Tag/Nacht Tageszeit wird durch Umschalten auf den entsprechenden IR-Cut Filter immer die beste Bildqualität erreicht.

WDR/BLC/ACE/HLC

Hierbei handelt es sich um eine Funktion für die Korrektur der Bildhelligkeit bei starkem Gegenlicht in Bildern, bei denen große Helligkeitsunterschiede zwischen hellen und dunklen Zonen auftreten.

Autofokus Funktion (AF Modell)

Mit dieser Fokus Funktion kann der Fokus mit einem Tastendruck eingestellt werden.

Fokuseinstellung

Der Benutzer kann unter Adjust Focusing (Fokus einstellen) den Fokus Modus einstellen, um den Verlust des Fokus bei Nacht zu vermeiden, obwohl ein Tag & Nacht Objektiv bei der Fokuseinstellung bei Tag verwendet wurde. Dadurch werden scharfe Bilder sowohl am Tag als auch bei Nacht erzeugt.

Privatsphären Funktion






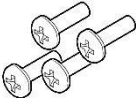
Dieses Gerät unterstützt die Ausblendung von bis zu 28 verschiedenen privaten Bereichen am Aufstellungsort.

Bildschirmenü Steuerung und Firmware-Aktualisierung

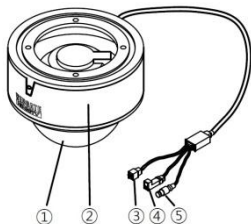
Die Bildschirmenü Steuerung und Firmware-Aktualisierung kann über einen PC mit RS-485 Datenübertragung zum DVR realisiert werden.

Mitgeliefertes Zubehör

Prüfen Sie bitte, ob das gesamte Zubehör mitgeliefert wurde.

		
Kamera		Install / User Manual
		
Cappe	L Schraubenschlüssel	Eisen-Schraube

Produktbeschreibung



Nr.	Bezeichnung
1	Domdecke
2	Kamera
3	RS485 Port
4	Power Eingangs Port
5	Video-Ausgang

Fokus Konfiguration (Fokus Einstellung)

Um den Fokus einzustellen oder den Verlust des Fokus bei Nacht zu verhindern, empfehlen wir, den 'Adjust Focusing' ('Fokuseinstellung') Modus auszuführen.

1. Betätigen Sie den Zoom und Fokus Hebel, um den Bildausschnitt und den Fokus einzustellen.

Beim dem Autofokus Modell kann der Bildausschnitt mithilfe des Joysticks eingestellt werden.

(Hoch: Tele, Runter: Weitwinkel, Links: Nah, Rechts: Fern).

2. Drücken Sie den Joystick kurz, um in den Adjust Focusing (Fokus einstellen) Modus zu wechseln.

Bei Modellen der AF Serie kann im Adjust Focusing (Fokus einstellen) Modus der Autofokus eingeschaltet werden.

3. Schließen Sie den Adjust Focusing (Fokuseinstellung) Modus ab, indem Sie den Joystick kurz drücken.

* Im Adjust Focusing (Fokus einstellen) Modus wird das Bild zwei Mal gezoomt, um den richtigen Fokus einzustellen.

Hinweise für den Autofokus Betrieb

Unter folgenden Bedingungen kann es zu einer Fehlfunktion des Autofokus kommen.

1. Änderung des Motivs, während der Autofokus ausgeführt wird (plötzliche Bewegung, Erscheinen oder Verschwinden des Motivs).
2. Plötzliche Helligkeitsänderung.
3. Bilder mit niedrigem Kontrast.
4. Starkes Gegen- oder Seitenlicht.
5. Fremdkörper auf der Linse.
6. Falls die Autofokus Funktion unter ungünstigen Bedingungen ausgeführt werden muss, versuchen Sie bitte, den Fokus manuell einzustellen oder versuchen Sie den Autofokus mit einem Motiv mit starkem Kontrast auszuführen.

Monitor anschließen

1. Verwenden Sie ein Koaxialkabel, um die Kamera an den Monitor anzuschließen.
2. Der Monitor muss SDI unterstützen.
3. Wenn der Monitor SDI nicht unterstützt, verwenden Sie bitte einen HDMI-Adapter, um Bilder über einen LCD-Monitor wiederzugeben (HDMI-Eingang muss vorhanden sein).

Hinweise für die Verwendung des BNC-Anschlusses

Die Impedanz des BNC-Anschlusses sollte 75 Ω betragen.

Wenn ein 50 Ω Anschluss verwendet wird, reduziert sich die Übertragungreichweite um ca. 10 m.

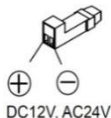
Hinweise für die Kabelauswahl

Die maximale Übertragungreichweite von HD-SDI hängt vom Kabelhersteller und der Installationsumgebung ab. Ziehen Sie bitte die folgende Tabelle für die Auswahl des Koaxialkabels zurate.

Kabeltyp	Übertragungreichweite	Verwendungszweck
2V	ca. 100 m	Für Analogsignale
4C-FB(T), 4C-HFB(T), RG59	ca. 150 m	Kabel mit hochaufgeschäumter Isolierung, doppelte oder dreifache Abschirmung empfohlen
5C-FB(T), 5C-HFB(T), L-6CHD, RG6	ca. 200 m	HD-SDI konformes Kabel

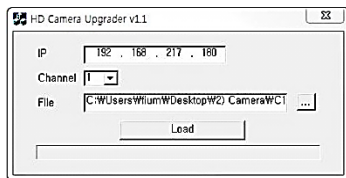
Anschluss an die Stromversorgung

Bei dem Netzteil muss es sich um ein 12 V Gleichstromnetzteil oder 24 V Wechselstromnetzteil handeln. Wenn Sie bei der Stromversorgung Gleichstrom verwenden, auf die Polarität achten.



Bildschirmmenü Steuerung und Firmware-Aktualisierung über die RS-485 Schnittstelle

1. Schließen Sie die Kamera an den DVR über die RS-485 Schnittstelle an.
 2. Stellen Sie die PTZ-Einstellungen, wie das Protokoll (C1080), die Baudrate und die Adresse am DVR ein.
 3. Führen Sie das HD Kamera Aktualisierungsprogramm aus, geben Sie anschließend die IP des mit der Kamera verbundenen DVRs und den Kanal der Kamera für die Aktualisierung an.
- Der PC für die Firmware-Aktualisierung und der DVR müssen an das Netzwerk angeschlossen sein.
 - Das HD Kamera Aktualisierungsprogramm und die Firmware können von der Webseite des Herstellers heruntergeladen



4. Wählen Sie die Firmware für die Aktualisierung aus und klicken Sie auf die Laden Schaltfläche. Die Firmware-Aktualisierung wird ausgeführt und die Kamera wird neu gestartet.
- Bis der Boot-Vorgang abgeschlossen ist, werden keine Bilder übertragen.
 - Wenn für mehr als 1 Minute keine Bilder angezeigt werden, wählen Sie Aux1 für den eingestellten Kanal und starten Sie die Kamera neu.
5. Nachdem die Aktualisierung abgeschlossen ist, ist die Änderung der Kameraeinstellungen über DVR und CMS (Steuerzentrum) aktiviert.

Verwendung des Bildschirmmenü

Bildschirmmenü Funktion

Wenn die MENU Taste länger als 1 Sekunde gedrückt wird, wird das Bildschirmmenü angezeigt.

- Wenn das Bildschirmmenü nicht geschlossen wird, wird es automatisch nach 1 Minute geschlossen. **(Geänderte Einstellungen werden jedoch nicht gespeichert)**
- Fettgedruckte und unterstrichene Einträge bedeuten Werkseinstellungen.

Bildschirmenü	Funktion	
ADJUST FOCUSING (FOKUSEINSTELLUNG)	<p>Wenn die Menütaste kurz gedrückt wird, wird der Adjust Focusing (Fokuseinstellung) Modus aktiviert.</p> <ul style="list-style-type: none"> - Nachdem die Fokuseinstellung abgeschlossen ist, kurz Menü drücken, um den Adjust Focusing (Fokus einstellen) Modus abzuschließen. - Wenn der Benutzer den Modus nicht manuell abschließt, wird er nach 1 Minute automatisch abgeschlossen. 	
LENS (OBJEKTIV)	DC	<p>Die Kamera verfügt über eine DC Blende mit Autofokus, mit der der Fokus automatisch oder manuell eingestellt werden kann.</p> <ul style="list-style-type: none"> - Autofocus (Autofokus) : Der Autofokus kann mit einem Knopfdruck auf dem Joystick ausgeführt werden - Zoom (AF) : Beim Zoomen wird der Fokus automatisch eingestellt. - Manual (Manuell) : Bewegen Sie den Joystick nach oben (Tele), unten (Weitwinkel), links (Nah), rechts (Fern) um den Bildausschnitt und den Fokus manuell einzustellen. - D&N AF (T&N AF) : Autofokus im Tag&Nacht Modus
TAG & NACHT	Farbe	Der Farbmodus (Tag Modus) bleibt ungeachtet der Helligkeit eingeschaltet.
	B&W (S/W)	Der S/W-Modus (Nacht Modus) bleibt ungeachtet der Helligkeit eingeschaltet.
	Auto	<p>Je nach Helligkeit schaltet das System automatisch zwischen Farb- und S/W-Modus um.</p> <ul style="list-style-type: none"> - Dieser Wert ist der Standardwert für den Tag & Nacht Schalter.Im High (Hoch) Modus wird die Kamera bei hoher Helligkeit in den Nacht (S/W) Modus geschaltet. - ANTI HUNT(LOW, MIDDLE, HIGH) (ANTI VERFOLGEN (NIEDRIG, MITTEL, HOCH)) :Dieser Wert ist der Standardwert für Ansprechwert.Im High (Hoch) Modus wird das Flackern reduziert. - DELAY TIME (VERZÖGERUNGSZEIT)(3 ~ 30 Sek.) :Konfiguration der Beleuchtungsdauer
EXPOSURE (BELICHTUNG)	BRIGHTNESS (HELLIGKEIT) (8, 0-20)	<p>Stellt die Helligkeit des Bildes ein.</p> <p>Je höher der Wert, desto heller ist das angezeigte Bild.</p>

	SHUTTER (BLENDE)	AUTO :Je nach Helligkeit wird die Verschlusszeit automatisch innerhalb von 1/30 geändert. MANUAL (MANUELL):Der Benutzer kann die Verschlusszeit zwischen 1/30 und 1/60.000 einstellen. INDOOR (INNENBEREICH) :Optimierung für den Einsatz im Innenbereich. OUTDOOR (AUSSENBEREICH) :Optimierung für den Einsatz im Außenbereich mit sich schnell bewegenden Objekten (Fahrzeuge usw.) ANTI-FLICKER (ANTI-FLIMMER) :Eliminiert den durch das Pulsieren der Lichtquellen verursachten Flimmereffekt. Insbesondere in Japan
	DSS (OFF (AUS), x2~x10)	Bei Nacht oder schlechten Lichtverhältnissen wird die Lichtempfindlichkeit erhöht, sodass hellere Bilder angezeigt werden. Bei höheren Werten kann es jedoch zu einer verschwommenen Darstellung von Bewegungen kommen.
	AGC (7 , 1~10)	Je höher der Wert, desto heller wird das Bild. Das Rauschen nimmt jedoch ebenfalls zu.
COLOR (FARBE)	AWB	<ul style="list-style-type: none"> - AUTO :Es findet eine Optimierung für Farbtemperaturen zwischen 1.700°K und 11.000°K statt. - PRESET (VOREINSTELLUNG) :Um den besten Weißabgleich bei den vorliegenden Lichtverhältnissen zu finden, ein weißes Blatt Papier vor das Kameraobjektiv halten und die MENU Taste drücken. - MANUAL (MANUELL) :Der Benutzer kann Farbtemperaturen von 3300K, 4300K und 7600K und KELVIN genau einstellen sowie den R-GAIN und B-GAIN Wert einstellen.
	CHROMA (FARBSÄTTIGUNG) (10 , 0~20)	Stellt den Farbsättigungspegel ein.
IMAGE	SHARPNESS (BILDSCHÄRFE) (5 , 0~10)	Stellt die Bildschärfe ein. Je höher der Wert, desto schärfer das Bild.
	H-MIRROR (H-SPIEGELUNG)	Spiegelt das Bild an der horizontalen Achse.

	G)	
	V-MIRROR (V-SPIEGELUNG)	Spiegelt das Bild an der vertikalen Achse.
	Digital ZOOM	Zoomt das Bild in 16 Schritten (1~16)
	PRIVACY (PRIVATSPHÄRE)	Dient zur Markierung bestimmter Bereiche. <ul style="list-style-type: none"> - ZONE NO (BEREICH NR.): Es können insgesamt 28 Bereiche konfiguriert werden. (0~27) - ZONE OP (BEREICH VERD.): Bestätigung oder Verwerfen des gewählten Bereichs. - X, Y-POS: Einstellung der Breiten- und Höhenposition . - X, Y-POS (X, Y-GRÖSSE): Einstellung der Breiten- und Höhengröße. - COLOR(WHT, YEL, CYN, GRN, MAG, RED, BLU, BLK) (FARBE WEI, GEL, TÜR, GRÜ, LIL, ROT, BLA, SCH): Farbauswahl für die Maskierung - TRANS(0~4): Einstellung der Transparenz des maskierten Bereichs.
	SHADING DET (ABSCHATTUNG ERK.)	Vor der Konfiguration des SHADING (ABSCHATTUNG) ein weißes Blatt Papier vor dem Kameraobjektiv platzieren und die SHADING DETECTION (ABSCHATTUNG ERKENNUNG) durchführen. Wenn dies nicht durchgeführt wird, werden unnatürliche Videobilder angezeigt.
	SHADING (ABSCHATTUNG)	Kompensiert den Licht- und Schattendifferenz des Objektivs. Für diese Funktion sollte zuerst Shading DET (Abschattung ERK.) im Systemmenü ausgeführt werden.
WDR		Hierbei handelt es sich um eine Funktion zur 3D Gegenlichtkompensation, welche die hellen und dunklen Bereiche sichtbar macht. <ul style="list-style-type: none"> - WDR WGT(0~4): Dient zur Auswahl des Mischungsverhältnisses. Bei hohen Werten werden Objekte in heller Umgebung deutlich angezeigt.
BLC		Eine Funktion zur Gegenlichtkompensation <ul style="list-style-type: none"> - BLC LEVEL (LOW, MIDDLE, HIGH) (BLC PEGEL (NIEDRIG, MITTEL, HOCH)): Dient zur Konfiguration des BLC-Pegels. - BLC OSD (BLC BILDSCHIRMEN7): Anzeige zur Konfiguration des BLC-Bereichs auf dem Bildschirm. - BLC POS-X, Y: Einstellung der Breiten- und Höhenposition . - BLC SIZ-X, Y: Einstellung der Breiten- und Höhengröße. - MASK (MASKE): Kompensiert die Belichtung eines Bildes mit maskierten Bereichen auf Basis der Belichtung des konfigurierten BLC-Bereichs

	innerhalb. - MASK LEVEL (MASKIERUNGSGRAD) (0~10) :Dient zur Einstellung des Beleuchtungspegels für die Maskierung.	
HLC	Nach der Maskierung der Position, deren Belichtungswert über dem Standard liegt, wird die Belichtung ausgeglichen. - LEVEL (PEGEL) (<u>5</u> , 0~10) :Dient zur Einstellung des Beleuchtungswertes für die Maskierung. - Color (Farbe) :Dient zur Einstellung der Maskierfarbe	
ACE (ON (EIN), OFF (AUS))	Verbessert die Bildqualität durch Erhöhung der Helligkeit von dunklen Stellen.	
DNR (LOW (NIEDRIG), MIDDLE (MITTEL) , HIGH (HOCH))	Reduziert das Bildrauschen bei schwachen Beleuchtungsverhältnissen	
FRAMERATE (BILDFREQUENZ) (25 Hz, 30 Hz)	Wechselstromfrequenz 60 Hz (NTSC) :30 Hz (BpS) Video Ausgang Wechselstromfrequenz 50Hz (PAL) :25Hz (BpS) Video Ausgang	
SYSTEM	MODEL (MODELL) CAM ID (KAM ID) RS485 ID VERSION RESOLUTION (AUFLÖSUNG) DIGITAL OUT / IR-LED BOARDRATE	Zeigt den Modellnamen an Max. 8 Zeichen für den Kameranamen. Es können Buchstaben, Figuren und Sonderzeichen verwendet werden. Dient zur Konfiguration der RS-485 ID Zeigt die Firmware Version an Dient zur Einstellung der Bildauflösung (1080p /720p). Sendet ein Steuersignal für externe Zusatzbeleuchtung, die mit der Bildverarbeitung synchronisiert wird. - DURATION (DAUER) (0~20) :Dient der Einstellung der Amplitude eines TTL-Signal Ausgabezyklus(Einheit : msec.) - POLARITY (POLARITÄT) :Dient zur Einstellung des Hauptausgangspegels des TTL-Signals. (0 : 0V , 1 :3,3V) * Der Ausgabezyklus wird durch 30 Hz/25 Hz bestimmt.
	Dient zur Festlegung der	

	(BAUDRATE) (9600, 57000)	Datenübertragungsgeschwindigkeit.
	RESET (ZURÜCKSETZEN)	Stellt alle Einstellungen auf die Werkseinstellungen zurück.
EXIT (VERLASSEN)	SAVE&EXIT (SPEICHERN & VERLASSEN)	Speichert die Einstellungen und verlässt das Menü.
	EXIT (VERLASSEN)	Verlässt das Menü ohne die Einstellungen zu speichern. Wenn keine weiteren Schritte im Menü ausgeführt werden, wird das Menü nach 1 Minute verlassen, ohne die vorgenommenen Änderungen zu speichern.

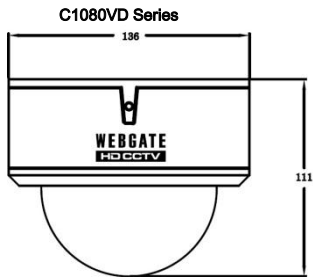
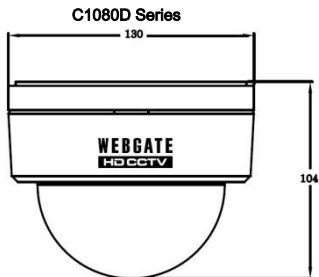
Technische Daten

Modell		C1080D, C1080VD, C1080D-IR, C1080VD-IR C1080D-AF, C1080VD-AF, C1080D-IR-AF, C1080VD-IR-AF
Video		
Sensor Typ		1/3" 2.1 Megapixel CMOS
Gesamtpixelanzahl		1920(H) x 1080(V) = 2.1M Pixel
Abtastsystem		Progressive Scan
Min. Beleuchtungsstärke	S/W	0.0005Lux bei 50IRE, F1.2, 3100K, DSS(AUS), AGC(10)
	Farbe	0.2Lux bei 50IRE, F1.2, 3100K, DSS(AUS), AGC(10)
Objektiv	Objektiv	DC 3 ~ 10mm F1.3
	Typ	DC Autom. Blende, Manuell
Video Ausgang	Ausgang	1 (BNC 1.0 Vs-s, 75Ω)
	Auflösung	1080p 30 BpS / 25 BpS
	HD-SDI	SMPTE 292M kompatibel
	Entfernung	Ca. 200m von RG6, 150m von RG59
Videosteuerung	Steuerung	Bildschirmenü(interner Joystick), DVR, CMS (Steuerzentrum)
	Filter	Echte Tag & Nacht Umschaltung
	AGC	1 ~ 10 Schritte
	Spiegeln	Horizontal / Vertikal
	WDR	AUS, 0 ~ 4 Setup
	BLC	AUS, NIEDRIG, MITTEL, HOCH
	ACE	AUS / EIN

	DNR	AUS, NIEDRIG, MITTEL, HOCH
	DSS	AUS, x2 ~ x10
	Weißabgleich	AUTO, VOREINSTELUNG, MANUELL
	Elektronischer Verschluss	AUTO, MANUELL (12 Schritte), INNENBEREICH, AUSSENBEREICH ANTI-FLIMMER
	Digitalzoom	0 ~ 16 Schritte
	Objektiv Abschattung	AUS / EIN
	HLC	0 ~ 10 Schritte
	Privatsphäre	AUS / EIN (28 Bereiche)
Steuer Schnittstelle		
RS-485	Firmware-Aktualisierung / Bildschirmenü Steuerung	
Steuerung des zusätzlichen externen Blitzlichts.	24 Stck.	
Elektrische Daten		
Leistungsaufnahme	C1080D	DC 12V ± 10%, 3W / AC 24V ± 10%, 4W
	C1080VD	
	C1080D-AF	
	C1080VD-AF	
	C1080D-IR	DC 12V ± 10%, 4W / AC 24V ± 10%, 5W
	C1080VD-IR	
	C1080D-IR-AF	
	C1080VD-IR-AF	
		DC 12V ± 10% 4W / AC 24V ± 10%, 6W
Maße und Gewichte		
Abmessungen	C1080D	130(ø) x 104(H)mm
	C1080D-IR	
	C1080D-AF	
	C1080D-IR-AF	
	C1080VD	136(ø) x 111(H)mm
	C1080VD-IR	
	C1080VD-AF	
	C1080VD-IR-AF	
Gewicht	C1080D	359g
	C1080D-IR	369g
	C1080VD	759g
	C1080VD-IR	769g
	C1080D-AF	370g
	C1080D-IR-AF	380g

	C1080VD-AF	770g
	C1080VD-IR-AF	780g
Umgebungsbedingungen		
Betriebstemperatur/ Luftfeuchtigkeit	0 °C ~ 50 °C / 0% rel. Luftfeuchtigkeit ~ 80% rel. Luftfeuchtigkeit	
Zertifizierungen		
Zertifizierungen	KC, FCC, CE, RoHS	

Abmessungen (Einheit : mm)



Garantie

Produkt	Full-HD-Kamera			Garantie
Modell	C1080D, C1080VD, C1080D-IR, C1080VD-IR, C1080D-AF, C1080VD-AF, C1080D-IR-AF, C1080VD-IR-AF			der Kauf von 2 Jahre
Kaufdatum	Jahr	Monat	Monat	
Garantie	Jahr	Monat	Monat	
Seriennummer				

Kunden-Adresse	Name	
	Kontakt	
Händler Adresse (Name des Unternehmens)	Name	
	Kontakt	

◆ Klar, um zu leer für Produktverkäufe Informationen, füllen Sie bitte.

★ Beim Empfang von Dienstleistungen ★

Denken Sie, dass die Nichteinhaltung der Service-Anfrage vor lesen Sie bitte die Bedienungsanleitung zur Hand.

Frühzeitigen Ausfall durch manuelle Handhabung der Symptome zu verwenden, so schauen Recht warnt, und Sie können auf der oben genannten Richtlinie haben.

Wie Sie Ihre Service-Anfrage?

Anfrage Bitte teilen Sie uns genau, wann der Fehlerzustand.

Garantie zur Verfügung gestellt mit den Informationen in Garantie enthalten, je nachdem, ob Sie bezahlt haben, wird die Unterscheidung kostenlos repariert werden.

WebGate Division Daemyung Enterprise Co., Ltd.

6F Hanlim Venture Town B/D 689-6, Geumjeong Dong, Gunposi, Gyeonggido, Korea

Main : TEL : +82-31-428-9300

Client Service : TEL : +82-1644-3421

Bei Nichteinhaltung der folgenden Gebühr entsprechen, werden verarbeitet werden.

1. Ausfall durch Unachtsamkeit Benutzer
2. Alternative Stromquelle-Verbindung
3. Der Nutzer zu zerlegen, zu reparieren, wenn
4. Fehler aufgrund von Naturkatastrophen (Feuer, Überschwemmung, Tsunami, etc.)
5. Beim Austausch von Verbrauchsmaterialien



ENTERPRISE

WEBGATE



The World's first certified by
HDcctv Alliance

Premium to your HD-CCTV

WEBGATE

WEBGATE Div, Daemyung Enterprise Co., Ltd.

TEL +82-31-428-9300

sales@webgateinc.com

support@webgateinc.com

www.webgateinc.com